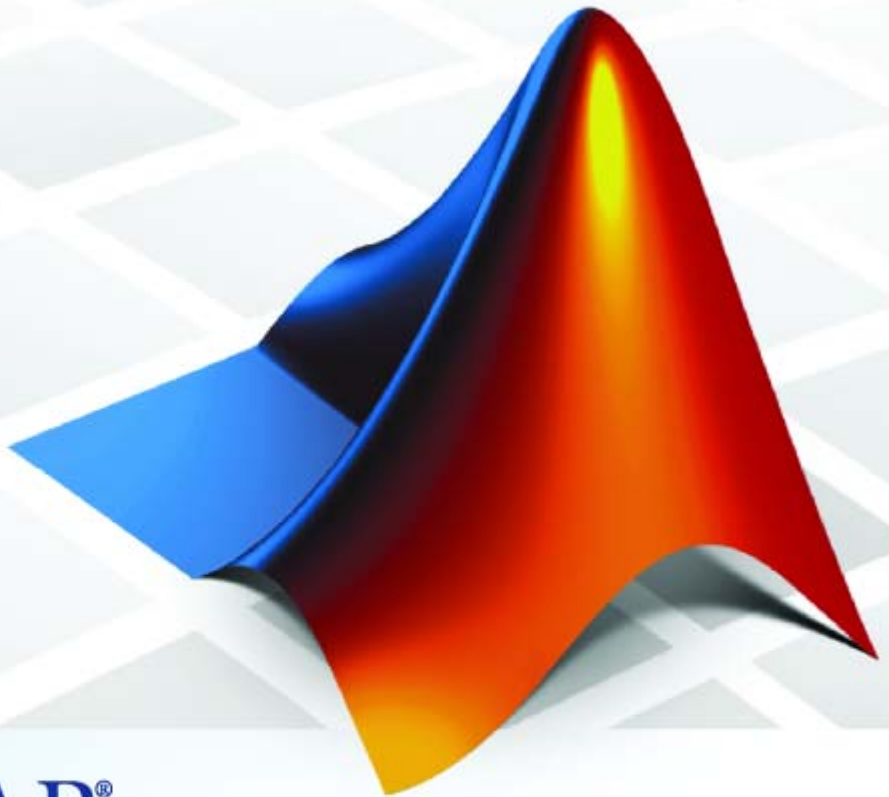


# Fixed-Point Toolbox 2

## User's Guide



MATLAB®

## How to Contact The MathWorks



www.mathworks.com  
comp.soft-sys.matlab  
www.mathworks.com/contact\_TS.html

Web  
Newsgroup  
Technical Support



suggest@mathworks.com  
bugs@mathworks.com  
doc@mathworks.com  
service@mathworks.com  
info@mathworks.com

Product enhancement suggestions  
Bug reports  
Documentation error reports  
Order status, license renewals, passcodes  
Sales, pricing, and general information



508-647-7000 (Phone)



508-647-7001 (Fax)



The MathWorks, Inc.  
3 Apple Hill Drive  
Natick, MA 01760-2098

For contact information about worldwide offices, see the MathWorks Web site.

*Fixed-Point Toolbox User's Guide*

© COPYRIGHT 2004–2007 by The MathWorks, Inc.

The software described in this document is furnished under a license agreement. The software may be used or copied only under the terms of the license agreement. No part of this manual may be photocopied or reproduced in any form without prior written consent from The MathWorks, Inc.

FEDERAL ACQUISITION: This provision applies to all acquisitions of the Program and Documentation by, for, or through the federal government of the United States. By accepting delivery of the Program or Documentation, the government hereby agrees that this software or documentation qualifies as commercial computer software or commercial computer software documentation as such terms are used or defined in FAR 12.212, DFARS Part 227.72, and DFARS 252.227-7014. Accordingly, the terms and conditions of this Agreement and only those rights specified in this Agreement, shall pertain to and govern the use, modification, reproduction, release, performance, display, and disclosure of the Program and Documentation by the federal government (or other entity acquiring for or through the federal government) and shall supersede any conflicting contractual terms or conditions. If this License fails to meet the government's needs or is inconsistent in any respect with federal procurement law, the government agrees to return the Program and Documentation, unused, to The MathWorks, Inc.

### Trademarks

MATLAB, Simulink, Stateflow, Handle Graphics, Real-Time Workshop, SimBiology, SimHydraulics, SimEvents, and xPC TargetBox are registered trademarks and The MathWorks, the L-shaped membrane logo, Embedded MATLAB, and PolySpace are trademarks of The MathWorks, Inc.

Other product or brand names are trademarks or registered trademarks of their respective holders.

### Patents

The MathWorks products are protected by one or more U.S. patents. Please see [www.mathworks.com/patents](http://www.mathworks.com/patents) for more information.

**Revision History**

June 2004	First printing	New for Version 1.0 (Release 14)
October 2004	Online only	Version 1.1 (Release 14SP1)
March 2005	Online only	Version 1.2 (Release 14SP2)
September 2005	Online only	Version 1.3 (Release 14SP3)
October 2005	Second printing	Version 1.3
March 2006	Online only	Version 1.4 (R2006a)
September 2006	Third printing	Version 1.5 (R2006b)
March 2007	Fourth printing	Version 2.0 (R2007a)
September 2007	Online only	Version 2.1 (R2007b)



## Getting Started

### 1

<b>What Is Fixed-Point Toolbox?</b> .....	<b>1-2</b>
<b>Licensing</b> .....	<b>1-4</b>
<b>Getting Help</b> .....	<b>1-5</b>
Getting Help in This Document .....	<b>1-5</b>
Getting Help at the MATLAB Command Line .....	<b>1-5</b>
<b>Display Settings</b> .....	<b>1-7</b>
<b>Demos</b> .....	<b>1-9</b>

## Fixed-Point Concepts

### 2

<b>Fixed-Point Data Types</b> .....	<b>2-2</b>
<b>Scaling</b> .....	<b>2-4</b>
<b>Precision and Range</b> .....	<b>2-5</b>
Range .....	<b>2-5</b>
Precision .....	<b>2-6</b>
<b>Arithmetic Operations</b> .....	<b>2-8</b>
Modulo Arithmetic .....	<b>2-8</b>
Two's Complement .....	<b>2-9</b>
Addition and Subtraction .....	<b>2-10</b>
Multiplication .....	<b>2-11</b>
Casts .....	<b>2-16</b>

<b>fi Objects Compared to C Integer Data Types</b> .....	<b>2-20</b>
Integer Data Types .....	<b>2-20</b>
Unary Conversions .....	<b>2-22</b>
Binary Conversions .....	<b>2-23</b>
Overflow Handling .....	<b>2-25</b>

## Working with fi Objects

### 3

<b>Constructing fi Objects</b> .....	<b>3-2</b>
fi Object Syntaxes .....	<b>3-2</b>
Examples of Constructing fi Objects .....	<b>3-4</b>
<b>fi Object Properties</b> .....	<b>3-14</b>
Data Properties .....	<b>3-14</b>
fimath Properties .....	<b>3-14</b>
numerictype Properties .....	<b>3-15</b>
Setting Fixed-Point Properties at Object Creation .....	<b>3-16</b>
Using Direct Property Referencing with fi .....	<b>3-17</b>
<b>fi Object Functions</b> .....	<b>3-19</b>

## Working with fimath Objects

### 4

<b>Constructing fimath Objects</b> .....	<b>4-2</b>
<b>fimath Object Properties</b> .....	<b>4-4</b>
Math, Rounding, and Overflow Properties .....	<b>4-4</b>
Setting fimath Properties at Object Creation .....	<b>4-5</b>
Using Direct Property Referencing with fimath .....	<b>4-5</b>
Setting fimath Properties in the Model Explorer .....	<b>4-6</b>
<b>Using fimath Objects to Perform Fixed-Point Arithmetic</b> .....	<b>4-8</b>

Binary Point Arithmetic .....	4-8
[Slope Bias] Arithmetic .....	4-12
<b>Using fimath to Specify Rounding and Overflow</b>	
<b>Modes</b> .....	4-16
<b>Using fimath to Share Arithmetic Rules</b> .....	4-17
<b>Using fimath ProductMode and SumMode</b> .....	4-19
Example Setup .....	4-19
FullPrecision .....	4-20
KeepLSB .....	4-21
KeepMSB .....	4-22
SpecifyPrecision .....	4-23
<b>fimath Object Functions</b> .....	4-25

## Working with fipref Objects

# 5

<b>Constructing fipref Objects</b> .....	5-2
<b>fipref Object Properties</b> .....	5-3
Display, Data Type Override, and Logging Properties ....	5-3
Setting fipref Properties at Object Creation .....	5-3
Using Direct Property Referencing with fipref .....	5-4
<b>Using fipref Objects to Set Display Preferences</b> .....	5-5
<b>Using fipref Objects to Set Logging Preferences</b> .....	5-7
Logging Overflows and Underflows as Warnings .....	5-7
Accessing Logged Information with Functions .....	5-9
<b>Using fipref Objects to Set Data Type Override</b>	
<b>Preferences</b> .....	5-12
Overriding the Data Type of fi Objects .....	5-12

Using Data Type Override to Help Set Fixed-Point Scaling .....	5-13
<b>fipref Object Functions</b> .....	<b>5-15</b>

## Working with numerictype Objects

# 6

<b>Constructing numerictype Objects</b> .....	<b>6-2</b>
numerictype Object Syntaxes .....	<b>6-2</b>
Examples of Constructing numerictype Objects .....	<b>6-3</b>
<b>numerictype Object Properties</b> .....	<b>6-6</b>
Data Type and Scaling Properties .....	<b>6-6</b>
Setting numerictype Properties at Object Creation .....	<b>6-7</b>
Using Direct Property Referencing with numerictype Objects .....	<b>6-7</b>
Setting numerictype Properties in the Model Explorer ...	<b>6-8</b>
<b>The numerictype Structure</b> .....	<b>6-10</b>
Possible Values of the numerictype Structure Properties ..	<b>6-10</b>
Properties That Affect the Slope .....	<b>6-11</b>
Stored Integer Value and Real World Value .....	<b>6-12</b>
<b>Using numerictype Objects to Share Data Type and Scaling Settings</b> .....	<b>6-13</b>
<b>numerictype Object Functions</b> .....	<b>6-16</b>

## Working with quantizer Objects

# 7

<b>Constructing quantizer Objects</b> .....	<b>7-2</b>
---	------------



<b>quantizer Object Properties</b> .....	<b>7-3</b>
<b>Quantizing Data with quantizer Objects</b> .....	<b>7-4</b>
<b>Transformations for Quantized Data</b> .....	<b>7-6</b>
<b>quantizer Object Functions</b> .....	<b>7-7</b>

## Working with the Fixed-Point Embedded MATLAB™ Subset

# 8

<b>Supported Functions and Limitations of Fixed-Point Embedded MATLAB™</b> .....	<b>8-2</b>
<b>Fixed-Point Embedded MATLAB™ Features</b> .....	<b>8-8</b>
Embedded MATLAB MEX .....	<b>8-8</b>
Embedded MATLAB Function Block .....	<b>8-8</b>

## Interoperability with Other Products

# 9

<b>Using fi Objects with Simulink</b> .....	<b>9-2</b>
Reading Fixed-Point Data from the Workspace .....	<b>9-2</b>
Writing Fixed-Point Data to the Workspace .....	<b>9-2</b>
Setting the Value and Data Type of Block Parameters ....	<b>9-6</b>
Logging Fixed-Point Signals .....	<b>9-6</b>
Accessing Fixed-Point Block Data During Simulation ....	<b>9-6</b>
<b>Using the Simulink Embedded MATLAB™ Function Block</b> .....	<b>9-8</b>
Using Fixed-Point Data Types with the Embedded MATLAB Function Block .....	<b>9-8</b>
Using the Embedded MATLAB Function Block with Data Type Override .....	<b>9-9</b>

Using the Model Explorer with a Fixed-Point Embedded MATLAB Function Block .....	<b>9-10</b>
Example: Implementing a Fixed-Point Direct Form FIR Using the Embedded MATLAB Function Block .....	<b>9-14</b>
<b>Using Embedded MATLAB Coder .....</b>	<b>9-24</b>
<b>Using fi Objects with Signal Processing Blockset .....</b>	<b>9-25</b>
Reading Fixed-Point Signals from the Workspace .....	<b>9-25</b>
Writing Fixed-Point Signals to the Workspace .....	<b>9-25</b>
<b>Using fi Objects with Filter Design Toolbox .....</b>	<b>9-30</b>

## Index

# Getting Started

---

What Is Fixed-Point Toolbox? (p. 1-2)	Describes Fixed-Point Toolbox and its major features
Licensing (p. 1-4)	Describes the licensing model for Fixed-Point Toolbox
Getting Help (p. 1-5)	Tells you how to get help on Fixed-Point Toolbox objects, properties, and functions
Display Settings (p. 1-7)	Describes the <code>fi</code> object display settings used in the code examples in this User's Guide
Demos (p. 1-9)	Lists the Fixed-Point Toolbox demos

## What Is Fixed-Point Toolbox?

Fixed-Point Toolbox provides fixed-point data types in MATLAB® and enables algorithm development by providing fixed-point arithmetic. Fixed-Point Toolbox enables you to create the following types of objects:

- `fi` — Defines a fixed-point numeric object in the MATLAB workspace. Each `fi` object is composed of value data, a `fi`math object, and a `numericType` object.
- `fi`math — Governs how overloaded arithmetic operators work with `fi` objects
- `fi`pref — Defines the display, logging, and data type override preferences of `fi` objects
- `numericType` — Defines the data type and scaling attributes of `fi` objects
- `quantizer` — Quantizes data sets

Fixed-Point Toolbox provides you with

- The ability to define fixed-point data types, scaling, and rounding and overflow methods in the MATLAB workspace
- Bit-true real and complex simulation
- Basic fixed-point arithmetic
  - Arithmetic operators `+`, `-`, `*`, `.*` for binary point-only and real [Slope Bias] signals
  - Division using the `divide` function for binary point-only signals
- Arbitrary word length up to `intmax('uint16')` bits
- Logging of minimums, maximums, overflows, and underflows
- Data type override with singles, doubles, or scaled doubles
- Conversions between binary, hex, double, and built-in integers
- Relational, logical, and bitwise operators
- Matrix functions such as `ctranspose` and `horzcat`
- Statistics functions such as `max` and `min`

- Interoperability with Simulink<sup>®</sup>, Signal Processing Blockset, Embedded MATLAB<sup>™</sup>, and Filter Design Toolbox
- Compatibility with the Simulink To Workspace and From Workspace blocks

## Licensing

You can use `fi` objects with the `DataType` property set to `double` *without* a Fixed-Point Toolbox license when the `fipref LoggingMode` property is set to `off`. A Fixed-Point Toolbox license *is* checked out when you

- Use any `fi` object with any `DataType` other than `double`.
- Create any `fi` object when the `fipref LoggingMode` property is set to `on`, including `fi` objects with `DataType double`.
- Load a MAT-file that contains any `fi` object with the `DataType` property set to `single`, `boolean`, `ScaledDouble`, or `Fixed`.

You can prevent the checkout of a Fixed-Point Toolbox license when working with Fixed-Point Toolbox code by setting the `fipref DataTypeOverride` property to `TrueDoubles`.

## Getting Help

In this section...
“Getting Help in This Document” on page 1-5
“Getting Help at the MATLAB Command Line” on page 1-5

### Getting Help in This Document

The objects of Fixed-Point Toolbox are discussed in the following chapters:

- Chapter 3, “Working with fi Objects”
- Chapter 4, “Working with fimath Objects”
- Chapter 5, “Working with fipref Objects”
- Chapter 6, “Working with numericitype Objects”
- Chapter 7, “Working with quantizer Objects”

To get in-depth information about the properties of these objects, refer to the Property Reference.

To get in-depth information about the functions of these objects, refer to the Function Reference.

### Getting Help at the MATLAB Command Line

To get command-line help for Fixed-Point Toolbox objects, type

```
help objectname
```

For example,

```
help fi
help fimath
help fipref
help numericitype
help quantizer
```

To get command-line help for Fixed-Point Toolbox functions, type

```
help embedded.fi/functionname
```

For example,

```
help embedded.fi/abs  
help embedded.fi/bitset  
help embedded.fi/sqrt
```

To invoke Help Browser documentation for Fixed-Point Toolbox functions from the MATLAB command line, type

```
doc fixedpoint/functionname
```

For example,

```
doc fixedpoint/int  
doc fixedpoint/add  
doc fixedpoint/savefipref  
doc fixedpoint/quantize
```



## Display Settings

In Fixed-Point Toolbox, the display of `fi` objects is determined by the `fipref` object. Throughout this User's Guide, code examples of `fi` objects are usually shown as they appear when the `fipref` properties are set as follows:

- `NumberDisplay` — 'RealWorldValue'
- `NumericTypeDisplay` — 'full'
- `FimathDisplay` — 'none'

For example,

```
p = fipref('NumberDisplay', 'RealWorldValue',...  
         'NumericTypeDisplay', 'full', 'FimathDisplay', 'none')
```

```
p =
```

```
         NumberDisplay: 'RealWorldValue'  
NumericTypeDisplay: 'full'  
         FimathDisplay: 'none'  
         LoggingMode: 'Off'  
         DataTypeOverride: 'ForceOff'
```

```
a = fi(pi)
```

```
a =
```

```
3.1416
```

```
         DataTypeMode: Fixed-point: binary point scaling  
         Signed: true  
         WordLength: 16  
         FractionLength: 13
```

In other cases, it makes sense to also show the fimath object display:

- NumberDisplay — 'RealWorldValue'
- NumericTypeDisplay — 'full'
- FimathDisplay — 'full'

For example,

```
p = fipref('NumberDisplay', 'RealWorldValue',...  
         'NumericTypeDisplay', 'full', 'FimathDisplay', 'full')
```

```
p =
```

```
         NumberDisplay: 'RealWorldValue'  
NumericTypeDisplay: 'full'  
         FimathDisplay: 'full'  
         LoggingMode: 'Off'  
         DataTypeOverride: 'ForceOff'
```

```
a = fi(pi)
```

```
a =
```

```
3.1416
```

```
         DataTypeMode: Fixed-point: binary point scaling  
         Signed: true  
         WordLength: 16  
         FractionLength: 13
```

```
         RoundMode: nearest  
         OverflowMode: saturate  
         ProductMode: FullPrecision  
MaxProductWordLength: 128  
         SumMode: FullPrecision  
MaxSumWordLength: 128  
         CastBeforeSum: true
```

For more information, refer to Chapter 5, “Working with fipref Objects”.

## Demos

You can access demos in the **Demos** tab of the **Help Navigator** window. Fixed-Point Toolbox includes the following demos:

- Fixed-Point Basics — Demonstrates the basic use of the fixed-point `fi` object
- Number Circle — Illustrates the definitions of unsigned and signed two's complement integer and fixed-point numbers
- Binary Point Scaling — Explains binary point-only scaling
- Fixed-Point Data Type Override, Min/Max Logging, and Scaling — Steps through the workflow of using doubles override and min/max logging in Fixed-Point Toolbox to choose appropriate scaling for a fixed-point algorithm
- Fixed-Point C Development — Shows how to use the parameters from a fixed-point MATLAB program in a fixed-point C program
- Fixed-Point Algorithm Development — Presents the development and verification of a simple fixed-point algorithm
- Fixed-Point Fast Fourier Transform (FFT) — Provides an example of converting a textbook Fast Fourier Transform algorithm into fixed-point MATLAB code and then into fixed-point C code
- Analysis of a Fixed-Point State-Space System with Limit Cycles — Demonstrates a limit cycle detection routine applied to a state-space system
- Quantization Error — Demonstrates the statistics of the error when signals are quantized using various rounding methods
- Fixed-Point Lowpass Filtering Using Embedded MATLAB™ MEX — Steps through generating a C-MEX function from M code, running the generated C-MEX function, and displaying the results



# Fixed-Point Concepts

---

Fixed-Point Data Types (p. 2-2)

Defines fixed-point data types

Scaling (p. 2-4)

Discusses the types of scaling used in Fixed-Point Toolbox; binary point-only and [Slope Bias]

Precision and Range (p. 2-5)

Discusses the concepts behind arithmetic operations in Fixed-Point Toolbox

Arithmetic Operations (p. 2-8)

Introduces the concepts behind arithmetic operations in Fixed-Point Toolbox

fi Objects Compared to C Integer Data Types (p. 2-20)

Compares ANSI C integer data type ranges, conversions, and exception handling with those of fi objects

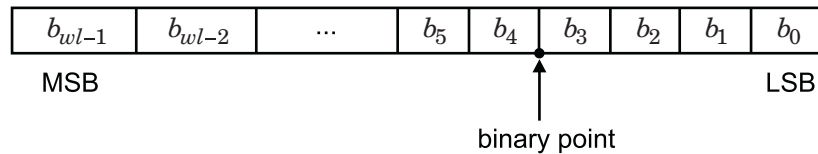
## Fixed-Point Data Types

In digital hardware, numbers are stored in binary words. A binary word is a fixed-length sequence of bits (1's and 0's). How hardware components or software functions interpret this sequence of 1's and 0's is defined by the data type.

Binary numbers are represented as either fixed-point or floating-point data types. This chapter discusses many terms and concepts relating to fixed-point numbers, data types, and mathematics.

A fixed-point data type is characterized by the word length in bits, the position of the binary point, and whether it is signed or unsigned. The position of the binary point is the means by which fixed-point values are scaled and interpreted.

For example, a binary representation of a generalized fixed-point number (either signed or unsigned) is shown below:



where

- $b_i$  is the  $i$ th binary digit.
- $wl$  is the word length in bits.
- $b_{wl-1}$  is the location of the most significant, or highest, bit (MSB).
- $b_0$  is the location of the least significant, or lowest, bit (LSB).
- The binary point is shown four places to the left of the LSB. In this example, therefore, the number is said to have four fractional bits, or a fraction length of four.

Fixed-point data types can be either signed or unsigned. Signed binary fixed-point numbers are typically represented in one of three ways:

- Sign/magnitude
- One's complement
- Two's complement

Two's complement is the most common representation of signed fixed-point numbers and is the only representation used by Fixed-Point Toolbox. Refer to “Two's Complement” on page 2-9 for more information.

## Scaling

Fixed-point numbers can be encoded according to the scheme

$$\text{real - world value} = (\text{slope} \times \text{integer}) + \text{bias}$$

where the slope can be expressed as

$$\text{slope} = \text{fractional slope} \times 2^{\text{fixed exponent}}$$

The integer is sometimes called the *stored integer*. This is the raw binary number, in which the binary point assumed to be at the far right of the word. In Fixed-Point Toolbox, the negative of the fixed exponent is often referred to as the *fraction length*.

The slope and bias together represent the scaling of the fixed-point number. In a number with zero bias, only the slope affects the scaling. A fixed-point number that is only scaled by binary point position is equivalent to a number in [Slope Bias] representation that has a bias equal to zero and a fractional slope equal to one. This is referred to as binary point-only scaling or power-of-two scaling:

$$\text{real - world value} = 2^{\text{fixed exponent}} \times \text{integer}$$

or

$$\text{real - world value} = 2^{-\text{fraction length}} \times \text{integer}$$

Fixed-Point Toolbox supports both binary point-only scaling and [Slope Bias] scaling.

---

**Note** For examples of binary point-only scaling, see the Fixed-Point Toolbox demo “fi Binary Point Scaling.”

---



## Precision and Range

### In this section...

“Range” on page 2-5

“Precision” on page 2-6

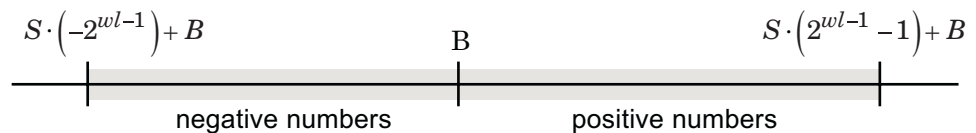
---

**Note** You must pay attention to the precision and range of the fixed-point data types and scalings you choose in order to know whether rounding methods will be invoked or if overflows or underflows will occur.

---

### Range

The range is the span of numbers that a fixed-point data type and scaling can represent. The range of representable numbers for a two’s complement fixed-point number of word length  $wl$ , scaling  $S$  and bias  $B$  is illustrated below:



For both signed and unsigned fixed-point numbers of any data type, the number of different bit patterns is  $2^{wl}$ .

For example, in two’s complement, negative numbers must be represented as well as zero, so the maximum value is  $2^{wl-1} - 1$ . Because there is only one representation for zero, there are an unequal number of positive and negative numbers. This means there is a representation for  $-2^{wl-1}$  but not for  $2^{wl-1}$ :

For slope = 1 and bias = 0:



## Overflow Handling

Because a fixed-point data type represents numbers within a finite range, overflows and underflows can occur if the result of an operation is larger or smaller than the numbers in that range.

Fixed-Point Toolbox allows you to either *saturate* or *wrap* overflows. Saturation represents positive overflows as the largest positive number in the range being used, and negative overflows as the largest negative number in the range being used. Wrapping uses modulo arithmetic to cast an overflow back into the representable range of the data type. Refer to “Modulo Arithmetic” on page 2-8 for more information.

When you create a `fi` object in Fixed-Point Toolbox, any overflows are saturated. The `OverflowMode` property of the default `fimath` object is `saturate`. You can log overflows and underflows by setting the `LoggingMode` property of the `fipref` object to `on`. Refer to “LoggingMode” for more information.

## Precision

The precision of a fixed-point number is the difference between successive values representable by its data type and scaling, which is equal to the value of its least significant bit. The value of the least significant bit, and therefore the precision of the number, is determined by the number of fractional bits. A fixed-point value can be represented to within half of the precision of its data type and scaling.

For example, a fixed-point representation with four bits to the right of the binary point has a precision of  $2^{-4}$  or 0.0625, which is the value of its least significant bit. Any number within the range of this data type and scaling can be represented to within  $(2^{-4})/2$  or 0.03125, which is half the precision. This is an example of representing a number with finite precision.

## Rounding Methods

One of the limitations of representing numbers with finite precision is that not every number in the available range can be represented exactly. When the result of a fixed-point calculation is a number that cannot be represented exactly by the data type and scaling being used, precision is lost. A rounding method must be used to cast the result to a representable number. Fixed-Point Toolbox currently supports the following rounding methods:

- `ceil` rounds to the closest representable number in the direction of positive infinity.
- `convergent` rounds to the closest representable integer. In the case of a tie, it rounds to the nearest even stored integer. This is the least biased rounding method provided by Fixed-Point Toolbox.
- `fix` rounds to the closest representable integer in the direction of zero.
- `floor`, which is equivalent to two's complement truncation, rounds to the closest representable number in the direction of negative infinity.
- `nearest` rounds to the closest representable integer. In the case of a tie, it rounds to the closest representable integer in the direction of positive infinity. This is the default rounding method for `fi` object creation and `fi` arithmetic.
- `round` rounds to the closest representable integer. In the case of a tie, it rounds positive numbers to the closest representable integer in the direction of positive infinity, and it rounds negative numbers to the closest representable integer in the direction of negative infinity.

## Arithmetic Operations

In this section...
“Modulo Arithmetic” on page 2-8
“Two’s Complement” on page 2-9
“Addition and Subtraction” on page 2-10
“Multiplication” on page 2-11
“Casts” on page 2-16

---

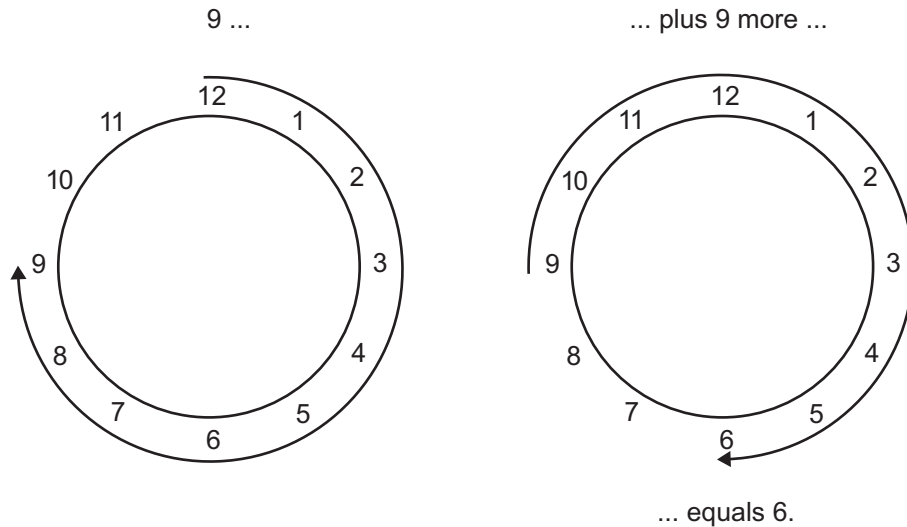
**Note** These sections will help you understand what data type and scaling choices result in overflows or a loss of precision.

---

### Modulo Arithmetic

Binary math is based on modulo arithmetic. Modulo arithmetic uses only a finite set of numbers, wrapping the results of any calculations that fall outside the given set back into the set.

For example, the common everyday clock uses modulo 12 arithmetic. Numbers in this system can only be 1 through 12. Therefore, in the “clock” system, 9 plus 9 equals 6. This can be more easily visualized as a number circle:



Similarly, binary math can only use the numbers 0 and 1, and any arithmetic results that fall outside this range are wrapped “around the circle” to either 0 or 1.

## Two’s Complement

Two’s complement is a way to interpret a binary number. In two’s complement, positive numbers always start with a 0 and negative numbers always start with a 1. If the leading bit of a two’s complement number is 0, the value is obtained by calculating the standard binary value of the number. If the leading bit of a two’s complement number is 1, the value is obtained by assuming that the leftmost bit is negative, and then calculating the binary value of the number. For example,

$$01 = (0 + 2^0) = 1$$

$$11 = \left( (-2^1) + (2^0) \right) = (-2 + 1) = -1$$

To compute the negative of a binary number using two’s complement,

- 1 Take the one’s complement, or “flip the bits.”

**2** Add a 1 using binary math.

**3** Discard any bits carried beyond the original word length.

For example, consider taking the negative of 11010 (-6). First, take the one's complement of the number, or flip the bits:

$$11010 \rightarrow 00101$$

Next, add a 1, wrapping all numbers to 0 or 1:

$$\begin{array}{r} 00101 \\ +1 \\ \hline 00110 \quad (6) \end{array}$$

## Addition and Subtraction

The addition of fixed-point numbers requires that the binary points of the addends be aligned. The addition is then performed using binary arithmetic so that no number other than 0 or 1 is used.

For example, consider the addition of 010010.1 (18.5) with 0110.110 (6.75):

$$\begin{array}{r} 010010.1 \quad (18.5) \\ +0110.110 \quad (6.75) \\ \hline 011001.010 \quad (25.25) \end{array}$$

Fixed-point subtraction is equivalent to adding while using the two's complement value for any negative values. In subtraction, the addends must be sign-extended to match each other's length. For example, consider subtracting 0110.110 (6.75) from 010010.1 (18.5):

$$\begin{array}{r} 010010.100 \quad (18.5) \\ -0110.110 \quad (6.75) \\ \hline \end{array} \xrightarrow[\text{and sign extension}]{\text{two's complement}} \begin{array}{r} 010010.100 \quad (18.5) \\ +11001.010 \quad (-6.75) \\ \hline 1001011.110 \quad (11.75) \end{array}$$

Carry bit is discarded

The default `fimath` object has a value of 1 (true) for the `CastBeforeSum` property. This casts addends to the sum data type before addition. Therefore, no further shifting is necessary during the addition to line up the binary points.

If `CastBeforeSum` has a value of 0 (false), the addends are added with full precision maintained. After the addition the sum is then quantized.

## Multiplication

The multiplication of two's complement fixed-point numbers is directly analogous to regular decimal multiplication, with the exception that the intermediate results must be sign-extended so that their left sides align before you add them together.

For example, consider the multiplication of 10.11 (-1.25) with 011 (3):

$$\begin{array}{r}
 10.11 \text{ (-1.25)} \\
 \underline{011 \text{ (3)}} \\
 11011 \\
 \underline{1011} \\
 1100.01 \text{ (-3.75)}
 \end{array}$$

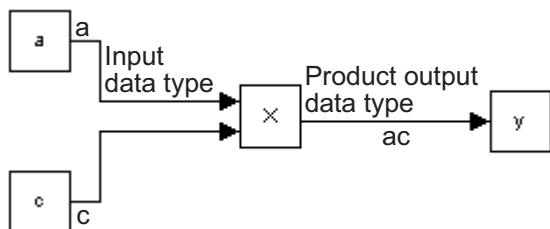
The extra 1 is the result of necessary sign extension.

The number of fractional bits of the result is the sum of the number of fractional bits of the factors.

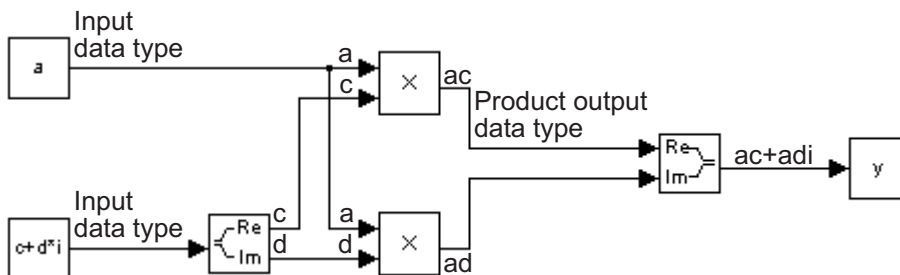
## Multiplication Data Types

The following diagrams show the data types used for fixed-point multiplication. The diagrams illustrate the differences between the data types used for real-real, complex-real, and complex-complex multiplication.

**Real-Real Multiplication.** The following diagram shows the data types used in the multiplication of two real numbers in Fixed-Point Toolbox. The output of this multiplication is in the product data type, which is governed by the `fimath ProductMode` property:

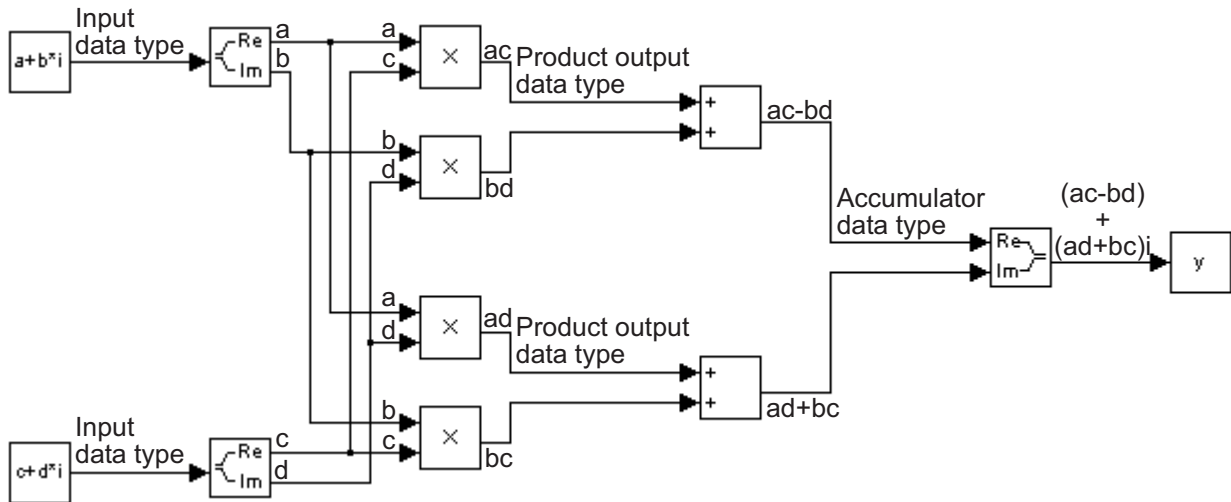


**Real-Complex Multiplication.** The following diagram shows the data types used in the multiplication of a real and a complex fixed-point number in Fixed-Point Toolbox. Real-complex and complex-real multiplication are equivalent. The output of this multiplication is in the product data type, which is governed by the `fimath ProductMode` property:



**Complex-Complex Multiplication.** The following diagram shows the multiplication of two complex fixed-point numbers in Fixed-Point Toolbox. Note that the output of the multiplication is in the sum data type, which is governed by the `fimath SumMode` property. The product data type is determined by the `fimath ProductMode` property:





## Multiplication with fimath

In the following examples, let

- `F = fimath('ProductMode','FullPrecision',...  
'SumMode','FullPrecision')`
- `T1 = numerictype('WordLength',24,'FractionLength',20)`
- `T2 = numerictype('WordLength',16,'FractionLength',10)`

**Real\*Real.** Notice that the word length and fraction length of the result  $z$  are equal to the sum of the word lengths and fraction lengths, respectively, of the multiplicands. This is because the `fimath` `SumMode` and `ProductMode` properties are set to `FullPrecision`:

```
P = fipref;
P.FimathDisplay = 'none';
x = fi(5, T1, F)

x =
```

```
        DataTypeMode: Fixed-point: binary point scaling
          Signed: true
          WordLength: 24
        FractionLength: 20
```

```
y = fi(10, T2, F)
```

```
y =
```

```
    10
```

```
        DataTypeMode: Fixed-point: binary point scaling
          Signed: true
          WordLength: 16
        FractionLength: 10
```

```
z = x*y
```

```
z =
```

```
    50
```

```
        DataTypeMode: Fixed-point: binary point scaling
          Signed: true
          WordLength: 40
        FractionLength: 30
```

**Real\*Complex.** Notice that the word length and fraction length of the result  $z$  are equal to the sum of the word lengths and fraction lengths, respectively, of the multiplicands. This is because the `fimath` `SumMode` and `ProductMode` properties are set to `FullPrecision`:

```
x = fi(5, T1, F)
```

```
x =
```

```
    5
```

```
        DataTypeMode: Fixed-point: binary point scaling
          Signed: true
          WordLength: 24
        FractionLength: 20
```

```
y = fi(10+2i,T2,F)
```

```
y =
```

```
10.0000 + 2.0000i
```

```
        DataTypeMode: Fixed-point: binary point scaling
          Signed: true
          WordLength: 16
        FractionLength: 10
```

```
z = x*y
```

```
z =
```

```
50.0000 +10.0000i
```

```
        DataTypeMode: Fixed-point: binary point scaling
          Signed: true
          WordLength: 40
        FractionLength: 30
```

**Complex\*Complex.** Complex-complex multiplication involves an addition as well as multiplication, so the word length of the full-precision result has one more bit than the sum of the word lengths of the multiplicands:

```
x = fi(5+6i,T1,F)
```

```
x =
```

```
5.0000 + 6.0000i
```

```
        DataTypeMode: Fixed-point: binary point scaling
          Signed: true
          WordLength: 24
        FractionLength: 20
```

```
y = fi(10+2i,T2,F)
```

```
y =
```

```
10.0000 + 2.0000i
```

```
        DataTypeMode: Fixed-point: binary point scaling
          Signed: true
          WordLength: 16
        FractionLength: 10
```

```
z = x*y
```

```
z =
```

```
38.0000 +70.0000i
```

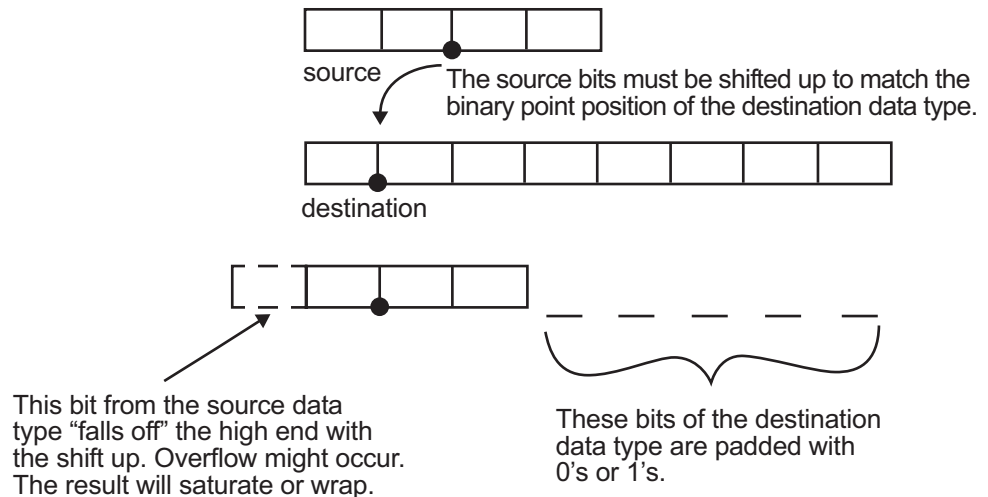
```
        DataTypeMode: Fixed-point: binary point scaling
          Signed: true
          WordLength: 41
        FractionLength: 30
```

### **Casts**

The `fimath` object allows you to specify the data type and scaling of intermediate sums and products with the `SumMode` and `ProductMode` properties. It is important to keep in mind the ramifications of each cast when you set the `SumMode` and `ProductMode` properties. Depending upon the data types you select, overflow and/or rounding might occur. The following two examples demonstrate cases where overflow and rounding can occur.

## Casting from a Shorter Data Type to a Longer Data Type

Consider the cast of a nonzero number, represented by a 4-bit data type with two fractional bits, to an 8-bit data type with seven fractional bits:



As the diagram shows, the source bits are shifted up so that the binary point matches the destination binary point position. The highest source bit does not fit, so overflow might occur and the result can saturate or wrap. The empty bits at the low end of the destination data type are padded with either 0's or 1's:

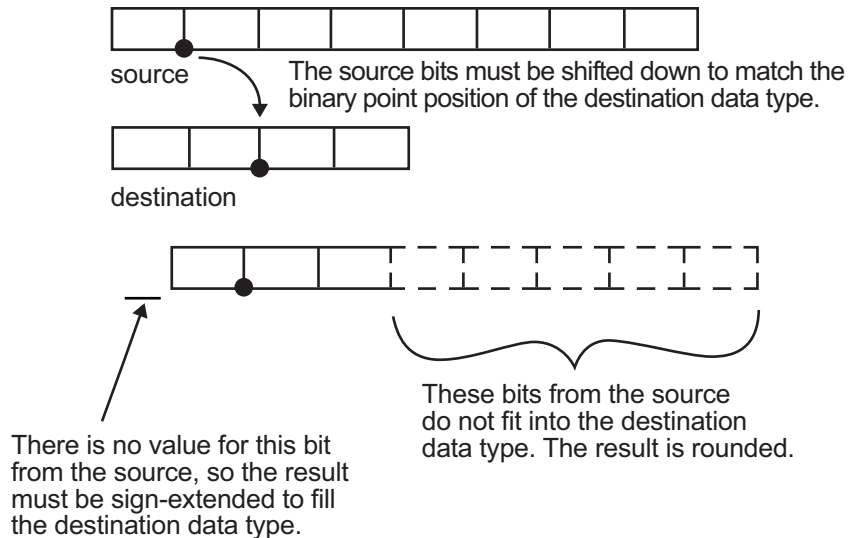
- If overflow does not occur, the empty bits are padded with 0's.
- If wrapping occurs, the empty bits are padded with 0's.
- If saturation occurs,
  - The empty bits of a positive number are padded with 1's.
  - The empty bits of a negative number are padded with 0's.

You can see that even with a cast from a shorter data type to a longer data type, overflow can still occur. This can happen when the integer length of the source data type (in this case two) is longer than the integer length of the destination data type (in this case one). Similarly, rounding might be

necessary even when casting from a shorter data type to a longer data type, if the destination data type and scaling has fewer fractional bits than the source.

### Casting from a Longer Data Type to a Shorter Data Type

Consider the cast of a nonzero number, represented by an 8-bit data type with seven fractional bits, to a 4-bit data type with two fractional bits:



As the diagram shows, the source bits are shifted down so that the binary point matches the destination binary point position. There is no value for the highest bit from the source, so the result is sign-extended to fill the integer portion of the destination data type. The bottom five bits of the source do not fit into the fraction length of the destination. Therefore, precision can be lost as the result is rounded.

In this case, even though the cast is from a longer data type to a shorter data type, all the integer bits are maintained. Conversely, full precision can be maintained even if you cast to a shorter data type, as long as the fraction length of the destination data type is the same length or longer than the fraction length of the source data type. In that case, however, bits are lost from the high end of the result and overflow can occur.

The worst case occurs when both the integer length and the fraction length of the destination data type are shorter than those of the source data type and scaling. In that case, both overflow and a loss of precision can occur.

## fi Objects Compared to C Integer Data Types

In this section...
“Integer Data Types” on page 2-20
“Unary Conversions” on page 2-22
“Binary Conversions” on page 2-23
“Overflow Handling” on page 2-25

---

**Note** The sections in this topic compare the `fi` object with fixed-point data types and operations in C. In these sections, the information on ANSI C is adapted from Samuel P. Harbison and Guy L. Steele Jr., *C: A Reference Manual*, 3rd ed., Prentice Hall, 1991.

---

### Integer Data Types

This section compares the numerical range of `fi` integer data types to the minimum numerical ranges of ANSI C integer data types.

#### ANSI C Integer Data Types

The following table shows the minimum ranges of ANSI C integer data types. The integer ranges can be larger than or equal to those shown, but cannot be smaller. The range of a `long` must be larger than or equal to the range of an `int`, which must be larger than or equal to the range of a `short`.

Note that the minimum ANSI C ranges are large enough to accommodate one's complement or sign/magnitude representation, but not two's complement representation. In the one's complement and sign/magnitude representations, a signed integer with  $n$  bits has a range from  $-2^{n-1} + 1$  to  $2^{n-1} - 1$ , inclusive. In both of these representations, an equal number of positive and negative numbers are represented, and zero is represented twice.



Integer Type	Minimum	Maximum
signed char	-127	127
unsigned char	0	255
short int	-32,767	32,767
unsigned short	0	65,535
int	-32,767	32,767
unsigned int	0	65,535
long int	-2,147,483,647	2,147,483,647
unsigned long	0	4,294,967,295

### fi Integer Data Types

The following table lists the numerical ranges of the integer data types of the `fi` object, in particular those equivalent to the C integer data types. The ranges are large enough to accommodate the two's complement representation, which is the only signed binary encoding technique supported by Fixed-Point Toolbox. In the two's complement representation, a signed integer with  $n$  bits has a range from  $-2^{n-1}$  to  $2^{n-1} - 1$ , inclusive. An unsigned integer with  $n$  bits has a range from 0 to  $2^n - 1$ , inclusive. The negative side of the range has one more value than the positive side, and zero is represented uniquely.

Constructor	Signed	Word Length	Fraction Length	Minimum	Maximum	Closest ANSI C Equivalent
<code>fi(x,1,n,0)</code>	Yes	$n$ (2 to 65,535)	0	$-2^{n-1}$	$2^{n-1} - 1$	N/A
<code>fi(x,0,n,0)</code>	No	$n$ (2 to 65,535)	0	0	$2^n - 1$	N/A
<code>fi(x,1,8,0)</code>	Yes	8	0	-128	127	signed char
<code>fi(x,0,8,0)</code>	No	8	0	0	255	unsigned char
<code>fi(x,1,16,0)</code>	Yes	16	0	-32,768	32,767	short int

Constructor	Signed	Word Length	Fraction Length	Minimum	Maximum	Closest ANSI C Equivalent
<code>fi(x,0,16,0)</code>	No	16	0	0	65,535	unsigned short
<code>fi(x,1,32,0)</code>	Yes	32	0	-2,147,483,648	2,147,483,647	long int
<code>fi(x,0,32,0)</code>	No	32	0	0	4,294,967,295	unsigned long

## Unary Conversions

Unary conversions dictate whether and how a single operand is converted before an operation is performed. This section discusses unary conversions in ANSI C and of `fi` objects.

### ANSI C Usual Unary Conversions

Unary conversions in ANSI C are automatically applied to the operands of the unary `!`, `-`, `~`, and `*` operators, and of the binary `<<` and `>>` operators, according to the following table:

Original Operand Type	ANSI C Conversion
char or short	int
unsigned char or unsigned short	int or unsigned int <sup>1</sup>
float	float
Array of T	Pointer to T
Function returning T	Pointer to function returning T

<sup>1</sup>If type `int` cannot represent all the values of the original data type without overflow, the converted type is `unsigned int`.

## fi Usual Unary Conversions

The following table shows the fi unary conversions:

C Operator	fi Equivalent	fi Conversion
!x	$\sim x = \text{not}(x)$	Result is logical.
~x	bitcmp(x)	Result is same numeric type as operand.
*x	No equivalent	N/A
x<<n	bitshift(x,n) positive n	Result is same numeric type as operand. Overflow mode is obeyed: wrap or saturate if 1-valued bits are shifted off the left, or into the sign bit if the operand is signed. 0-valued bits are shifted in on the right.
x>>n	bitshift(x,-n)	Result is same numeric type as operand. Round mode is obeyed if 1-valued bits are shifted off the right. 0-valued bits are shifted in on the left if the operand is either signed and positive or unsigned. 1-valued bits are shifted in on the left if the operand is signed and negative.
+x	+x	Result is same numeric type as operand.
-x	-x	Result is same numeric type as operand. Overflow mode is obeyed. For example, overflow might occur when you negate an unsigned fi or the most negative value of a signed fi.

## Binary Conversions

This section describes the conversions that occur when the operands of a binary operator are different data types.

### ANSI C Usual Binary Conversions

In ANSI C, operands of a binary operator must be of the same type. If they are different, one is converted to the type of the other according to the first applicable conversion in the following table:

Type of One Operand	Type of Other Operand	ANSI C Conversion
long double	Any	long double
double	Any	double
float	Any	float
unsigned long	Any	unsigned long
long	unsigned	long or unsigned long <sup>1</sup>
long	int	long
unsigned	int or unsigned	unsigned
int	int	int

<sup>1</sup>Type long is only used if it can represent all values of type unsigned.

### fi Usual Binary Conversions

When one of the operands of a binary operator (+, -, \*, .\* ) is a fi object and the other is a MATLAB built-in numeric type, then the non-fi operand is converted to a fi object before the operation is performed, according to the following table:

Type of One Operand	Type of Other Operand	Properties of Other Operand After Conversion to a fi Object
fi	double or single	<ul style="list-style-type: none"> <li>• Signed = same as the original fi operand</li> <li>• WordLength = same as the original fi operand</li> <li>• FractionLength = set to best precision possible</li> </ul>
fi	int8	<ul style="list-style-type: none"> <li>• Signed = 1</li> <li>• WordLength = 8</li> <li>• FractionLength = 0</li> </ul>

Type of One Operand	Type of Other Operand	Properties of Other Operand After Conversion to a fi Object
fi	uint8	<ul style="list-style-type: none"> <li>• Signed = 0</li> <li>• WordLength = 8</li> <li>• FractionLength = 0</li> </ul>
fi	int16	<ul style="list-style-type: none"> <li>• Signed = 1</li> <li>• WordLength = 16</li> <li>• FractionLength = 0</li> </ul>
fi	uint16	<ul style="list-style-type: none"> <li>• Signed = 0</li> <li>• WordLength = 16</li> <li>• FractionLength = 0</li> </ul>
fi	int32	<ul style="list-style-type: none"> <li>• Signed = 1</li> <li>• WordLength = 32</li> <li>• FractionLength = 0</li> </ul>
fi	uint32	<ul style="list-style-type: none"> <li>• Signed = 0</li> <li>• WordLength = 32</li> <li>• FractionLength = 0</li> </ul>

## Overflow Handling

The following sections compare how overflows are handled in ANSI C and Fixed-Point Toolbox.

### ANSI C Overflow Handling

In ANSI C, the result of signed integer operations is whatever value is produced by the machine instruction used to implement the operation. Therefore, ANSI C has no rules for handling signed integer overflow.

The results of unsigned integer overflows wrap in ANSI C.

### fi Overflow Handling

Addition and multiplication with `fi` objects yield results that can be exactly represented by a `fi` object, up to word lengths of 65,535 bits or the available memory on your machine. This is not true of division, however, because many ratios result in infinite binary expressions. You can perform division with `fi` objects using the `divide` function, which requires you to explicitly specify the numeric type of the result.

The conditions under which a `fi` object overflows and the results then produced are determined by the associated `fimath` object. You can specify certain overflow characteristics separately for sums (including differences) and products. Refer to the following table:

<b>fimath Object Properties Related to Overflow Handling</b>	<b>Property Value</b>	<b>Description</b>
OverflowMode	'saturate'	Overflows are saturated to the maximum or minimum value in the range.
	'wrap'	Overflows wrap using modulo arithmetic if unsigned, two's complement wrap if signed.
ProductMode	'FullPrecision'	Full-precision results are kept. Overflow does not occur. An error is thrown if the resulting word length is greater than <code>MaxProductWordLength</code> .  The rules for computing the resulting product word and fraction lengths are given in "ProductMode" in the Property Reference.

<b>fimath Object Properties Related to Overflow Handling</b>	<b>Property Value</b>	<b>Description</b>
	'KeepLSB'	<p>The least significant bits of the product are kept. Full precision is kept, but overflow is possible. This behavior models the C language integer operations.</p> <p>The resulting word length is determined by the ProductWordLength property. If ProductWordLength is greater than is necessary for the full-precision product, then the result is stored in the least significant bits. If ProductWordLength is less than is necessary for the full-precision product, then overflow occurs.</p> <p>The rule for computing the resulting product fraction length is given in “ProductMode” in the Property Reference.</p>
	'KeepMSB'	<p>The most significant bits of the product are kept. Overflow is prevented, but precision may be lost.</p> <p>The resulting word length is determined by the ProductWordLength property. If ProductWordLength is greater than is necessary for the full-precision product, then the result is stored in the most significant bits. If ProductWordLength is less than is necessary for the full-precision product, then rounding occurs.</p> <p>The rule for computing the resulting product fraction length is given in “ProductMode” in the Property Reference.</p>
	'SpecifyPrecision'	<p>You can specify both the word length and the fraction length of the resulting product.</p>

<b>fimath Object Properties Related to Overflow Handling</b>	<b>Property Value</b>	<b>Description</b>
ProductWordLength	Positive integer	The word length of product results when ProductMode is 'KeepLSB', 'KeepMSB', or 'SpecifyPrecision'.
MaxProductWordLength	Positive integer	The maximum product word length allowed when ProductMode is 'FullPrecision'. The default is 128 bits. The maximum is 65,535 bits. This property can help ensure that your simulation does not exceed your hardware requirements.
ProductFractionLength	Integer	The fraction length of product results when ProductMode is 'Specify Precision'.
SumMode	'FullPrecision'	<p>Full-precision results are kept. Overflow does not occur. An error is thrown if the resulting word length is greater than MaxSumWordLength.</p> <p>The rules for computing the resulting sum word and fraction lengths are given in “SumMode” in the Property Reference.</p>



<b>fimath Object Properties Related to Overflow Handling</b>	<b>Property Value</b>	<b>Description</b>
	'KeepLSB'	<p>The least significant bits of the sum are kept. Full precision is kept, but overflow is possible. This behavior models the C language integer operations.</p> <p>The resulting word length is determined by the SumWordLength property. If SumWordLength is greater than is necessary for the full-precision sum, then the result is stored in the least significant bits. If SumWordLength is less than is necessary for the full-precision sum, then overflow occurs.</p> <p>The rule for computing the resulting sum fraction length is given in “SumMode” in the Property Reference.</p>
	'KeepMSB'	<p>The most significant bits of the sum are kept. Overflow is prevented, but precision may be lost.</p> <p>The resulting word length is determined by the SumWordLength property. If SumWordLength is greater than is necessary for the full-precision sum, then the result is stored in the most significant bits. If SumWordLength is less than is necessary for the full-precision sum, then rounding occurs.</p> <p>The rule for computing the resulting sum fraction length is given in “SumMode” in the Property Reference.</p>
	'SpecifyPrecision'	<p>You can specify both the word length and the fraction length of the resulting sum.</p>

<b>fimath Object Properties Related to Overflow Handling</b>	<b>Property Value</b>	<b>Description</b>
SumWordLength	Positive integer	The word length of sum results when SumMode is 'KeepLSB', 'KeepMSB', or 'SpecifyPrecision'.
MaxSumWordLength	Positive integer	The maximum sum word length allowed when SumMode is 'FullPrecision'. The default is 128 bits. The maximum is 65,535 bits. This property can help ensure that your simulation does not exceed your hardware requirements.
SumFractionLength	Integer	The fraction length of sum results when SumMode is 'SpecifyPrecision'.

# Working with `fi` Objects

---

Constructing `fi` Objects (p. 3-2)

Teaches you how to create `fi` objects

`fi` Object Properties (p. 3-14)

Tells you how to find more information about the properties associated with `fi` objects, and shows you how to set these properties

`fi` Object Functions (p. 3-19)

Introduces the functions in the toolbox that operate directly on `fi` objects

## Constructing fi Objects

In this section...
“fi Object Syntaxes” on page 3-2
“Examples of Constructing fi Objects” on page 3-4

### fi Object Syntaxes

You can create fi objects in Fixed-Point Toolbox in one of two ways:

- You can use the fi constructor function to create a new object.
- You can use the fi constructor function to copy an existing fi object.

To get started, type

```
a = fi(0)
```

to create a fi object with the default data type and a value of 0.

```
a =
```

```
0
```

```
      DataTypeMode: Fixed-point: binary point scaling  
             Signed: true  
           WordLength: 16  
       FractionLength: 15
```

A signed fi object is created with a value of 0, word length of 16 bits, and fraction length of 15 bits.

---

**Note** For information on the display format of fi objects, refer to “Display Settings” on page 1-7.

---

You can use the fi constructor function in the following ways:

- `a = fi` is the default constructor and returns a `fi` object with no value, 16-bit word length, and 15-bit fraction length.
- `a = fi(v)` returns a signed fixed-point object with value `v`, 16-bit word length, and best-precision fraction length.
- `a = fi(v,s)` returns a fixed-point object with value `v`, signedness `s`, 16-bit word length, and best-precision fraction length. `s` can be 0 (false) for unsigned or 1 (true) for signed.
- `a = fi(v,s,w)` returns a fixed-point object with value `v`, signedness `s`, word length `w`, and best-precision fraction length.
- `a = fi(v,s,w,f)` returns a fixed-point object with value `v`, signedness `s`, word length `w`, and fraction length `f`.
- `a = fi(v,s,w,slope,bias)` returns a fixed-point object with value `v`, signedness `s`, word length `w`, slope, and bias.
- `a = fi(v,s,w,slopeadjustmentfactor,fixedexponent,bias)` returns a fixed-point object with value `v`, signedness `s`, word length `w`, slopeadjustmentfactor, fixedexponent, and bias.
- `a = fi(v,T)` returns a fixed-point object with value `v` and embedded.numericity `T`. Refer to Chapter 6, “Working with numericity Objects” for more information on numericity objects.
- `a = fi(v,F)` returns a fixed-point object with value `v`, embedded.fimath `F`, 16-bit word length, and best-precision fraction length. Refer to Chapter 4, “Working with fimath Objects” for more information on fimath objects.
- `b = fi(a,F)` allows you to maintain the value and numericity object of `fi` object `a`, while changing its fimath object to `F`.
- `a = fi(v,T,F)` returns a fixed-point object with value `v`, embedded.numericity `T`, and embedded.fimath `F`.
- `a = fi(v,s,F)` returns a fixed-point object with value `v`, signedness `s`, 16-bit word length, best-precision fraction length, and embedded.fimath `F`.
- `a = fi(v,s,w,F)` returns a fixed-point object with value `v`, signedness `s`, word length `w`, best-precision fraction length, and embedded.fimath `F`.
- `a = fi(v,s,w,f,F)` returns a fixed-point object with value `v`, signedness `s`, word length `w`, fraction length `f`, and embedded.fimath `F`.

- `a = fi(v,s,w,slope,bias,F)` returns a fixed-point object with value `v`, signedness `s`, word length `w`, slope, bias, and embedded `.fimath F`.
- `a = fi(v,s,w,slopeadjustmentfactor,fixedexponent,bias,F)` returns a fixed-point object with value `v`, signedness `s`, word length `w`, `slopeadjustmentfactor`, `fixedexponent`, bias, and embedded `.fimath F`.
- `a = fi(...'PropertyName',PropertyValue...)` and `a = fi('PropertyName',PropertyValue...)` allow you to set fixed-point objects for a `fi` object by property name/property value pairs.

## Examples of Constructing fi Objects

For example, the following creates a `fi` object with a value of `pi`, a word length of 8 bits, and a fraction length of 3 bits:

```
a = fi(pi, 1, 8, 3)
```

```
a =
```

```
3.1250
```

```
DataTypeMode: Fixed-point: binary point scaling
Signed: true
WordLength: 8
FractionLength: 3
```

The value `v` can also be an array:

```
a = fi((magic(3)/10), 1, 16, 12)
```

```
a =
```

```
0.8000    0.1001    0.6001
0.3000    0.5000    0.7000
0.3999    0.8999    0.2000
```

```
DataTypeMode: Fixed-point: binary point scaling
Signed: true
WordLength: 16
FractionLength: 12
```

If you omit the argument `f`, it is set automatically to the best precision possible:

```
a = fi(pi, 1, 8)
```

```
a =
```

```
3.1563
```

```
DataTypeMode: Fixed-point: binary point scaling
Signed: true
WordLength: 8
FractionLength: 5
```

If you omit `w` and `f`, they are set automatically to 16 bits and the best precision possible, respectively:

```
a = fi(pi, 1)
```

```
a =
```

```
3.1416
```

```
DataTypeMode: Fixed-point: binary point scaling
Signed: true
WordLength: 16
FractionLength: 13
```

### **Constructing a fi Object with Property Name/Property Value Pairs**

You can use property name/property value pairs to set `fi` properties when you create the object:

```
a = fi(pi, 'roundmode', 'floor', 'overflowmode', 'wrap')
```

```
a =
```

```
3.1415
```

```
    DataTypeMode: Fixed-point: binary point scaling
      Signed: true
      WordLength: 16
    FractionLength: 13
```

```
      RoundMode: floor
      OverflowMode: wrap
      ProductMode: FullPrecision
    MaxProductWordLength: 128
      SumMode: FullPrecision
    MaxSumWordLength: 128
    CastBeforeSum: true
```

### **Constructing a fi Object Using a numerictype Object**

You can use a numerictype object to define a fi object:

```
T = numerictype
```

```
T =
```

```
    DataTypeMode: Fixed-point: binary point scaling
      Signed: true
      WordLength: 16
    FractionLength: 15
```

```
a = fi(pi, T)
```

```
a =
```

```
1.0000
```

```
    DataTypeMode: Fixed-point: binary point scaling
      Signed: true
      WordLength: 16
```



```
FractionLength: 15
    RoundMode: nearest
    OverflowMode: saturate
    ProductMode: FullPrecision
MaxProductWordLength: 128
    SumMode: FullPrecision
MaxSumWordLength: 128
    CastBeforeSum: true
```

You can also use a `fimath` object with a numeric type object to define a `fi` object:

```
F = fimath
```

```
F =
```

```
    RoundMode: nearest
    OverflowMode: saturate
    ProductMode: FullPrecision
MaxProductWordLength: 128
    SumMode: FullPrecision
MaxSumWordLength: 128
    CastBeforeSum: true
```

```
a = fi(pi, T, F)
```

```
a =
```

```
1.0000
```

```
    DataTypeMode: Fixed-point: binary point scaling
    Signed: true
    WordLength: 16
    FractionLength: 15
```

```
    RoundMode: nearest
    OverflowMode: saturate
    ProductMode: FullPrecision
```

```
MaxProductWordLength: 128
      SumMode: FullPrecision
MaxSumWordLength: 128
      CastBeforeSum: true
```

### Constructing a fi Object Using a fimath Object

You can create a `fi` object using a specific `fimath` object. By default, the word length is 16 bits and the scaling is best precision:

```
F = fimath
```

```
F =
```

```
      RoundMode: nearest
      OverflowMode: saturate
      ProductMode: FullPrecision
MaxProductWordLength: 128
      SumMode: FullPrecision
MaxSumWordLength: 128
      CastBeforeSum: true
```

```
F.OverflowMode = 'wrap'
```

```
F =
```

```
      RoundMode: nearest
      OverflowMode: wrap
      ProductMode: FullPrecision
MaxProductWordLength: 128
      SumMode: FullPrecision
MaxSumWordLength: 128
      CastBeforeSum: true
```

```
a = fi(pi, F)
```

```
a =
```

```
3.1416
```

```
    DataTypeMode: Fixed-point: binary point scaling
      Signed: true
      WordLength: 16
      FractionLength: 13

      RoundMode: nearest
      OverflowMode: wrap
      ProductMode: FullPrecision
MaxProductWordLength: 128
      SumMode: FullPrecision
MaxSumWordLength: 128
      CastBeforeSum: true
```

You can also create `fi` objects using a `fimath` object while specifying various numeric type properties at creation time:

```
b = fi(pi, 0, F)
```

```
b =
```

```
3.1416
```

```
    DataTypeMode: Fixed-point: binary point scaling
      Signed: false
      WordLength: 16
      FractionLength: 14

      RoundMode: nearest
      OverflowMode: wrap
      ProductMode: FullPrecision
MaxProductWordLength: 128
      SumMode: FullPrecision
MaxSumWordLength: 128
      CastBeforeSum: true
```

```
c = fi(pi, 0, 8, F)
```

```
c =  
  
3.1406  
  
      DataTypeMode: Fixed-point: binary point scaling  
      Signed: false  
      WordLength: 8  
      FractionLength: 6  
  
      RoundMode: nearest  
      OverflowMode: wrap  
      ProductMode: FullPrecision  
MaxProductWordLength: 128  
      SumMode: FullPrecision  
      MaxSumWordLength: 128  
      CastBeforeSum: true  
  
d = fi(pi, 0, 8, 6, F)
```

```
d =  
  
3.1406  
  
      DataTypeMode: Fixed-point: binary point scaling  
      Signed: false  
      WordLength: 8  
      FractionLength: 6  
  
      RoundMode: nearest  
      OverflowMode: wrap  
      ProductMode: FullPrecision  
MaxProductWordLength: 128  
      SumMode: FullPrecision  
      MaxSumWordLength: 128  
      CastBeforeSum: true
```

## Determining Property Precedence

Note that the value of a property is taken from the last time it is set. For example, create a numeric type object with a value of true for the 'signed' property:

```
T = numericitype('signed', true)

T =

    DataTypeMode: Fixed-point: binary point scaling
      Signed: true
    WordLength: 16
    FractionLength: 15
```

Now create the following fi object in which the numericitype property is specified *after* the signed property, so that the resulting fi object is signed:

```
a = fi(pi, 'signed', false, 'numericitype', T)

a =

    1.0000

    DataTypeMode: Fixed-point: binary point scaling
      Signed: true
    WordLength: 16
    FractionLength: 15

    RoundMode: nearest
    OverflowMode: saturate
    ProductMode: FullPrecision
    MaxProductWordLength: 128
    SumMode: FullPrecision
    MaxSumWordLength: 128
    CastBeforeSum: true
```

Contrast this with the following fi object in which the numericitype property is specified *before* the signed property, so the resulting fi object is unsigned:

```
b = fi(pi, 'numericitype', T, 'signed', false)
```

```
b =  
  
    3.1416  
  
        DataTypeMode: Fixed-point: binary point scaling  
          Signed: false  
        WordLength: 16  
    FractionLength: 14  
  
        RoundMode: nearest  
    OverflowMode: saturate  
        ProductMode: FullPrecision  
MaxProductWordLength: 128  
        SumMode: FullPrecision  
    MaxSumWordLength: 128  
    CastBeforeSum: true
```

### **Copying a fi Object**

To copy a `fi` object, simply use assignment, as in the following example:

```
a = fi(pi)  
  
a =  
  
    3.1416  
  
        DataTypeMode: Fixed-point: binary point scaling  
          Signed: true  
        WordLength: 16  
    FractionLength: 13  
b = a  
  
b =  
  
    3.1416  
  
        DataTypeMode: Fixed-point: binary point scaling  
          Signed: true
```

WordLength: 16  
FractionLength: 13

## **fi Object Properties**

<b>In this section...</b>
“Data Properties” on page 3-14
“ <code>fimath</code> Properties” on page 3-14
“ <code>numericity</code> Properties” on page 3-15
“Setting Fixed-Point Properties at Object Creation” on page 3-16
“Using Direct Property Referencing with <code>fi</code> ” on page 3-17

### **Data Properties**

The data properties of a `fi` object are always writable:

- `bin` — Stored integer value of a `fi` object in binary
- `data` — Numerical real-world value of a `fi` object
- `dec` — Stored integer value of a `fi` object in decimal
- `double` — Real-world value of a `fi` object, stored as a MATLAB double
- `hex` — Stored integer value of a `fi` object in hexadecimal
- `int` — Stored integer value of a `fi` object, stored in a built-in MATLAB integer data type. You can also use `int8`, `int16`, `int32`, `uint8`, `uint16`, and `uint32` to get the stored integer value of a `fi` object in these formats
- `oct` — Stored integer value of a `fi` object in octal

### **fimath Properties**

When you create a `fi` object, a `fimath` object is also automatically created as a property of the `fi` object:

- `fimath` — `fimath` object associated with a `fi` object

The following `fimath` properties are, by transitivity, also properties of a `fi` object. The properties of the `fimath` object listed below are always writable:



- `CastBeforeSum` — Whether both operands are cast to the sum data type before addition
- `MaxProductWordLength` — Maximum allowable word length for the product data type
- `MaxSumWordLength` — Maximum allowable word length for the sum data type
- `OverflowMode` — Overflow mode
- `ProductBias` — Bias of the product data type
- `ProductFixedExponent` — Fixed exponent of the product data type
- `ProductFractionLength` — Fraction length, in bits, of the product data type
- `ProductMode` — Defines how the product data type is determined
- `ProductSlope` — Slope of the product data type
- `ProductSlopeAdjustmentFactor` — Slope adjustment factor of the product data type
- `ProductWordLength` — Word length, in bits, of the product data type
- `RoundMode` — Rounding mode
- `SumBias` — Bias of the sum data type
- `SumFixedExponent` — Fixed exponent of the sum data type
- `SumFractionLength` — Fraction length, in bits, of the sum data type
- `SumMode` — Defines how the sum data type is determined
- `SumSlope` — Slope of the sum data type
- `SumSlopeAdjustmentFactor` — Slope adjustment factor of the sum data type
- `SumWordLength` — The word length, in bits, of the sum data type

## **numerictype Properties**

When you create a `fi` object, a `numerictype` object is also automatically created as a property of the `fi` object:

- `numericType` — Object containing all the numeric type attributes of a `fi` object

The following `numericType` properties are, by transitivity, also properties of a `fi` object. The properties of the `numericType` object listed below are not writable once the `fi` object has been created. However, you can create a copy of a `fi` object with new values specified for the `numericType` properties:

- `Bias` — Bias of a `fi` object
- `DataType` — Data type category associated with a `fi` object
- `DataTypeMode` — Data type and scaling mode of a `fi` object
- `FixedExponent` — Fixed-point exponent associated with a `fi` object
- `FractionLength` — Fraction length of the stored integer value of a `fi` object in bits
- `Scaling` — Fixed-point scaling mode of a `fi` object
- `Signed` — Whether a `fi` object is signed or unsigned
- `Slope` — Slope associated with a `fi` object
- `SlopeAdjustmentFactor` — Slope adjustment associated with a `fi` object
- `WordLength` — Word length of the stored integer value of a `fi` object in bits

These properties are described in detail in the Property Reference. There are two ways to specify properties for `fi` objects in Fixed-Point Toolbox. Refer to the following sections:

- “Setting Fixed-Point Properties at Object Creation” on page 3-16
- “Using Direct Property Referencing with `fi`” on page 3-17

### Setting Fixed-Point Properties at Object Creation

You can set properties of `fi` objects at the time of object creation by including properties after the arguments of the `fi` constructor function. For example, to set the overflow mode to `wrap` and the rounding mode to `convergent`,

```
a = fi(pi, 'OverflowMode', 'wrap', 'RoundMode', 'convergent')  
  
a =
```

```
3.1416
```

```

    DataTypeMode: Fixed-point: binary point scaling
        Signed: true
        WordLength: 16
    FractionLength: 13

```

```

        RoundMode: convergent
    OverflowMode: wrap
        ProductMode: FullPrecision
    MaxProductWordLength: 128
        SumMode: FullPrecision
    MaxSumWordLength: 128
    CastBeforeSum: true

```

## Using Direct Property Referencing with fi

You can reference directly into a property for setting or retrieving `fi` object property values using MATLAB structure-like referencing. You do this by using a period to index into a property by name.

For example, to get the `DataTypeMode` of `a`,

```

a.DataTypeMode

ans =

Fixed-point: binary point scaling

```

To set the `OverflowMode` of `a`,

```
a.OverflowMode = 'wrap'
```

```
a =
```

```
3.1416
```

```

    DataTypeMode: Fixed-point: binary point scaling

```

Signed: true  
WordLength: 16  
FractionLength: 13

RoundMode: convergent  
OverflowMode: wrap  
ProductMode: FullPrecision  
MaxProductWordLength: 128  
SumMode: FullPrecision  
MaxSumWordLength: 128  
CastBeforeSum: true

## fi Object Functions

The functions in the following table operate directly on fi objects.

abs	all	and	any	area
bar	barh	bin	bitand	bitcmp
bitget	bitor	bitshift	bitxor	buffer
clabel	comet	comet3	compass	complex
coneplot	conj	contour	contour3	contourc
contourf	ctranspose	dec	diag	disp
double	end	eps	eq	errorbar
etreeplot	ezcontour	ezcontourf	ezmesh	ezplot
ezplot3	ezpolar	ezsurf	ezsurfc	feather
fi	fimath	flipdim	fliplr	flipud
fplot	ge	get	gplot	gt
hankel	hex	hex2num	hist	histc
horzcat	imag	innerprodintbits	int	int8
int16	int32	intmax	intmin	ipermute
iscolumn	isempty	isequal	isfi	isfinite
isinf	isnan	isnumeric	isobject	ispropequal
isreal	isrow	isscalar	assigned	isvector
le	length	line	logical	lowerbound
lsb	lt	max	mesh	meshc
meshz	min	minus	mtimes	ndims
ne	not	numberofelements	numericitype	oct
or	patch	pcolor	permute	plot
plot3	plotmatrix	plotyy	plus	polar
pow2	quantizer	quiver	quiver3	range
real	realmax	realmin	repmat	rescale

reshape	rgbplot	ribbon	rose	scatter
scatter3	sdec	shiftdim	sign	single
size	slice	spy	stairs	stem
stem3	streamribbon	streamslice	streamtube	stripscaling
subsasgn	subsref	sum	surf	surfc
surf1	surfnorm	text	times	toeplitz
transpose	treeplot	tril	trimesh	triplot
trisurf	triu	uint8	uint16	uint32
uminus	uplus	upperbound	vertcat	voronoi
voronoin	waterfall	xlim	ylim	zlim

You can learn about the functions associated with `fi` objects in the [Function Reference](#).

The following data-access functions can be also used to get the data in a `fi` object using dot notation.

- `bin`
- `data`
- `dec`
- `double`
- `hex`
- `int`
- `oct`

For example,

```
a = fi(pi);  
n = int(a)
```

```
n =
```

```
25736
```

```
a.int
```

```
ans =
```

```
25736
```

```
h = hex(a)
```

```
h =
```

```
6488
```

```
a.hex
```

```
ans =
```

```
6488
```





# Working with `fimath` Objects

---

Constructing <code>fimath</code> Objects (p. 4-2)	Teaches you how to create <code>fimath</code> objects
<code>fimath</code> Object Properties (p. 4-4)	Tells you how to find more information about the properties associated with <code>fimath</code> objects, and shows you how to set these properties
Using <code>fimath</code> Objects to Perform Fixed-Point Arithmetic (p. 4-8)	Gives examples of using <code>fimath</code> objects to control the results of fixed-point arithmetic with <code>fi</code> objects
Using <code>fimath</code> to Specify Rounding and Overflow Modes (p. 4-16)	Gives an example that shows that the order in which you set overflow and rounding modes matters
Using <code>fimath</code> to Share Arithmetic Rules (p. 4-17)	Gives an example of using a <code>fimath</code> object to share modular arithmetic information among multiple <code>fi</code> objects
Using <code>fimath</code> <code>ProductMode</code> and <code>SumMode</code> (p. 4-19)	Shows the differences among the different settings of the <code>ProductMode</code> and <code>SumMode</code> properties
<code>fimath</code> Object Functions (p. 4-25)	Introduces the functions in the toolbox that operate directly on <code>fimath</code> objects

## Constructing fimath Objects

`fimath` objects define the arithmetic attributes of `fi` objects. You can create `fimath` objects in Fixed-Point Toolbox in one of two ways:

- You can use the `fimath` constructor function to create a new object.
- You can use the `fimath` constructor function to copy an existing `fimath` object.

To get started, type

```
F = fimath
```

to create a default `fimath` object.

```
F = fimath
```

```
F =
```

```
          RoundMode: nearest  
          OverflowMode: saturate  
          ProductMode: FullPrecision  
MaxProductWordLength: 128  
          SumMode: FullPrecision  
MaxSumWordLength: 128  
CastBeforeSum: true
```

To copy a `fimath` object, simply use assignment as in the following example:

```
F = fimath;  
G = F;  
isequal(F,G)
```

```
ans =
```

```
1
```

The syntax

```
F = fimath(...'PropertyName',PropertyValue...)
```

allows you to set properties for a `fimath` object at object creation with property name/property value pairs. Refer to “Setting fimath Properties at Object Creation” on page 4-5.

## fimath Object Properties

In this section...
“Math, Rounding, and Overflow Properties” on page 4-4
“Setting fimath Properties at Object Creation” on page 4-5
“Using Direct Property Referencing with fimath” on page 4-5
“Setting fimath Properties in the Model Explorer” on page 4-6

### **Math, Rounding, and Overflow Properties**

The following properties of `fimath` objects are always writable:

- `CastBeforeSum` — Whether both operands are cast to the sum data type before addition
- `MaxProductWordLength` — Maximum allowable word length for the product data type
- `MaxSumWordLength` — Maximum allowable word length for the sum data type
- `OverflowMode` — Overflow-handling mode
- `ProductBias` — Bias of the product data type
- `ProductFixedExponent` — Fixed exponent of the product data type
- `ProductFractionLength` — Fraction length, in bits, of the product data type
- `ProductMode` — Defines how the product data type is determined
- `ProductSlope` — Slope of the product data type
- `ProductSlopeAdjustmentFactor` — Slope adjustment factor of the product data type
- `ProductWordLength` — Word length, in bits, of the product data type
- `RoundMode` — Rounding mode
- `SumBias` — Bias of the sum data type
- `SumFixedExponent` — Fixed exponent of the sum data type

- `SumFractionLength` — Fraction length, in bits, of the sum data type
- `SumMode` — Defines how the sum data type is determined
- `SumSlope` — Slope of the sum data type
- `SumSlopeAdjustmentFactor` — Slope adjustment factor of the sum data type
- `SumWordLength` — Word length, in bits, of the sum data type

These properties are described in detail in the Property Reference. There are three ways to specify properties for `fimath` objects in Fixed-Point Toolbox. Refer to the following sections.

## Setting `fimath` Properties at Object Creation

You can set properties of `fimath` objects at the time of object creation by including properties after the arguments of the `fimath` constructor function.

For example, to set the overflow mode to saturate and the rounding mode to convergent,

```
F = fimath('OverflowMode','saturate','RoundMode','convergent')
```

```
F =
```

```
          RoundMode: convergent
          OverflowMode: saturate
          ProductMode: FullPrecision
MaxProductWordLength: 128
          SumMode: FullPrecision
MaxSumWordLength: 128
          CastBeforeSum: true
```

## Using Direct Property Referencing with `fimath`

You can reference directly into a property for setting or retrieving `fimath` object property values using MATLAB structure-like referencing. You do this by using a period to index into a property by name.

For example, to get the `RoundMode` of `F`,

```
F.RoundMode
```

```
ans =
```

```
convergent
```

To set the OverflowMode of F,

```
F.OverflowMode = 'wrap'
```

```
F =
```

```
RoundMode: convergent
OverflowMode: wrap
ProductMode: FullPrecision
MaxProductWordLength: 128
SumMode: FullPrecision
MaxSumWordLength: 128
CastBeforeSum: true
```

### Setting fimath Properties in the Model Explorer

You can view and change the properties for any `fimath` object defined in the MATLAB workspace in the Model Explorer. Open the Model Explorer by selecting **View > Model Explorer** in any Simulink model, or by typing `daexplr` at the MATLAB command line.

The figure below shows the Model Explorer when you define the following `fimath` objects in the MATLAB workspace:

```
F = fimath
```

```
F =
```

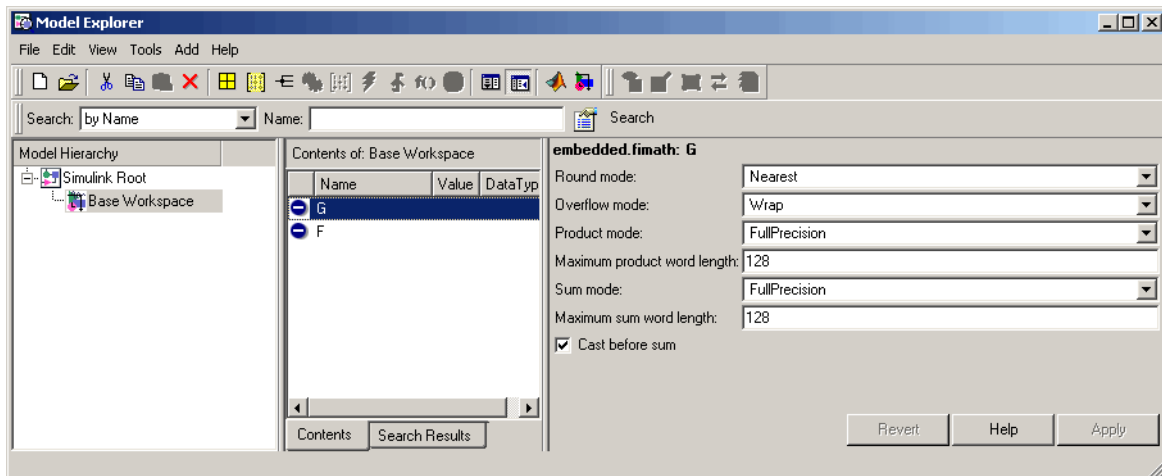
```
RoundMode: nearest
OverflowMode: saturate
ProductMode: FullPrecision
MaxProductWordLength: 128
SumMode: FullPrecision
```

```
MaxSumWordLength: 128
CastBeforeSum: true
```

```
G = fimath('OverflowMode', 'wrap')
```

```
G =
```

```
RoundMode: nearest
OverflowMode: wrap
ProductMode: FullPrecision
MaxProductWordLength: 128
SumMode: FullPrecision
MaxSumWordLength: 128
CastBeforeSum: true
```



Select the **Base Workspace** node in the **Model Hierarchy** pane to view the current objects in the **Contents** pane. When you select a **fimath** object in the **Contents** pane, you can view and change its properties in the **Dialog** pane.

## Using fimath Objects to Perform Fixed-Point Arithmetic

### In this section...

“Binary Point Arithmetic” on page 4-8

“[Slope Bias] Arithmetic” on page 4-12

### Binary Point Arithmetic

The `fimath` object encapsulates the math properties of Fixed-Point Toolbox, and is itself a property of the `fi` object.

Every `fi` object has a `fimath` object as a property.

```
a = fi(pi)
```

```
a =
```

```
3.1416
```

```
      DataTypeMode: Fixed-point: binary point scaling  
           Signed: true  
      WordLength: 16  
      FractionLength: 13
```

```
           RoundMode: nearest  
           OverflowMode: saturate  
           ProductMode: FullPrecision  
MaxProductWordLength: 128  
           SumMode: FullPrecision  
MaxSumWordLength: 128  
      CastBeforeSum: true
```

```
a.fimath
```

```
ans =
```



```
        RoundMode: nearest
        OverflowMode: saturate
        ProductMode: FullPrecision
MaxProductWordLength: 128
        SumMode: FullPrecision
MaxSumWordLength: 128
CastBeforeSum: true
```

To perform arithmetic with +, -, .\*, or \*, two fi operands must have the same fimath properties.

```
a = fi(pi);
b = fi(8);
isequal(a.fimath, b.fimath)
```

```
ans =
```

```
    1
```

```
a + b
```

```
ans =
```

```
11.1416
```

```
        DataTypeMode: Fixed-point: binary point scaling
        Signed: true
        WordLength: 19
FractionLength: 13
```

```
        RoundMode: nearest
        OverflowMode: saturate
        ProductMode: FullPrecision
MaxProductWordLength: 128
        SumMode: FullPrecision
MaxSumWordLength: 128
CastBeforeSum: true
```

To perform arithmetic with +, -, .\*, or \*, two `fi` operands must also have the same data type. For example, you can perform addition on two `fi` objects with data type `double`, but not on an object with data type `double` and one with data type `single`:

```
a = fi(3, 'DataType', 'double')
```

```
a =
```

```
3
```

```
DataTypeMode: double
```

```
b = fi(27, 'DataType', 'double')
```

```
b =
```

```
27
```

```
DataTypeMode: double
```

```
a + b
```

```
ans =
```

```
30
```

```
DataTypeMode: double
```

```
c = fi(12, 'DataType', 'single')
```

```
c =
```

```
12
```

```
DataTypeMode: single
```

```
a + c
```

```
??? Math operations are not allowed on FI objects with  
different data types.
```

Fixed-point `fi` object operands do not have to have the same scaling. Math is permitted between fixed-point and scaled doubles `fi` objects. In this sense, the scaled double data type acts as a fixed-point data type:

```
a = fi(pi)
```

```
a =
```

```
3.1416
```

```
      DataTypeMode: Fixed-point: binary point scaling
             Signed: true
             WordLength: 16
      FractionLength: 13
```

```
             RoundMode: nearest
             OverflowMode: saturate
             ProductMode: FullPrecision
      MaxProductWordLength: 128
             SumMode: FullPrecision
      MaxSumWordLength: 128
             CastBeforeSum: true
```

```
b = fi(magic(2), ...
```

```
'DataTypeMode', 'Scaled double: binary point scaling')
```

```
b =
```

```
1    3
4    2
```

```
      DataTypeMode: Scaled double: binary point scaling
             Signed: true
             WordLength: 16
      FractionLength: 12
```

```
             RoundMode: nearest
             OverflowMode: saturate
             ProductMode: FullPrecision
```

```
MaxProductWordLength: 128
    SumMode: FullPrecision
MaxSumWordLength: 128
    CastBeforeSum: true

a + b

ans =

    4.1416    6.1416
    7.1416    5.1416

    DataTypeMode: Scaled double: binary point scaling
    Signed: true
    WordLength: 18
    FractionLength: 13

    RoundMode: nearest
    OverflowMode: saturate
    ProductMode: FullPrecision
MaxProductWordLength: 128
    SumMode: FullPrecision
MaxSumWordLength: 128
    CastBeforeSum: true
```

Use the `divide` function to perform division with doubles, singles, or binary point-only scaling `fi` objects.

### [Slope Bias] Arithmetic

Fixed-point arithmetic using the `fimath` object is supported for all binary point-only signals. Arithmetic is also supported for [Slope Bias] signals with the following restrictions:

- [Slope Bias] signals must be real.
- The `fimath` object `SumMode` and `ProductMode` properties must be set to 'SpecifyPrecision' for sum and multiply operations, respectively.
- The `fimath` object `CastBeforeSum` property must be set to 'true'.

- The divide function is not supported for [Slope Bias] signals.

```
f = fimath('SumMode', 'SpecifyPrecision', ...
          'SumFractionLength', 16)
```

```
f =
```

```

          RoundMode: nearest
          OverflowMode: saturate
          ProductMode: FullPrecision
MaxProductWordLength: 128
          SumMode: SpecifyPrecision
          SumWordLength: 32
          SumFractionLength: 16
          CastBeforeSum: true
```

```
a = fi(pi, 'fimath', f)
```

```
a =
```

```
3.1416
```

```

          DataTypeMode: Fixed-point: binary point scaling
          Signed: true
          WordLength: 16
          FractionLength: 13
```

```

          RoundMode: nearest
          OverflowMode: saturate
          ProductMode: FullPrecision
MaxProductWordLength: 128
          SumMode: SpecifyPrecision
          SumWordLength: 32
          SumFractionLength: 16
          CastBeforeSum: true
```

```
b = fi(22, true, 16, 2^-8, 3, 'fimath', f)
```

```
b =
```

22

DataTypeMode: Fixed-point: slope and bias scaling  
Signed: true  
WordLength: 16  
Slope: 0.00390625  
Bias: 3

RoundMode: nearest  
OverflowMode: saturate  
ProductMode: FullPrecision  
MaxProductWordLength: 128  
SumMode: SpecifyPrecision  
SumWordLength: 32  
SumFractionLength: 16  
CastBeforeSum: true

a + b

ans =

25.1416

DataTypeMode: Fixed-point: binary point scaling  
Signed: true  
WordLength: 32  
FractionLength: 16

RoundMode: nearest  
OverflowMode: saturate  
ProductMode: FullPrecision  
MaxProductWordLength: 128  
SumMode: SpecifyPrecision  
SumWordLength: 32  
SumFractionLength: 16  
CastBeforeSum: true

Setting the SumMode and ProductMode properties to SpecifyPrecision are mutually exclusive except when performing the \* operation between matrices.

In this case, both the `SumMode` and `ProductMode` properties must be set to `SpecifyPrecision` for [Slope Bias] signals, because both sum and multiply operations are performed while calculating the result.

## Using fimath to Specify Rounding and Overflow Modes

Only rounding and overflow modes set prior to an operation with `fi` objects affect the outcome of those operations. Changing the rounding or overflow mode of a `fi` object after it has been created does not affect its value. For example, consider the `fi` objects `a` and `b`:

```
p = fipref('NumberDisplay', 'RealWorldValue',...
'NumericTypeDisplay', 'none', 'FimathDisplay', 'none');
T = numericitytype('WordLength',8,'FractionLength',7);
F = fimath('RoundMode','floor','OverflowMode','wrap');
a = fi(1,T,F)

a =

    -1
b = fi(1,T)

b =

    0.9922
```

Because `a` is created with `fimath` object `F` that has `OverflowMode` set to `wrap`, its value wrapped to `-1`. On the other hand, `b` is created with the default `OverflowMode` value of `saturate`, so its value is saturated to `0.9922`.

Now assign the `fimath` object `F` to `b`:

```
b.fimath = F

b =

    0.9922
```

Because the assignment operation and corresponding overflow and saturation already happened when `b` was created, no change happens to `b` when it is assigned the new `fimath` object `F`, even though its rounding mode changed from `saturate` to `wrap`.



## Using fimath to Share Arithmetic Rules

You can use a `fimath` object to define common arithmetic rules that you would like to use for many `fi` objects. You can then create multiple `fi` objects, using the same `fimath` object for each. To do so, you also need to create a `numerictype` object to define a common data type and scaling. Refer to Chapter 6, “Working with `numerictype` Objects” for more information on `numerictype` objects. The following example shows the creation of a `numerictype` object and `fimath` object, which are then used to create two `fi` objects with the same `numerictype` and `fimath` attributes:

```
T = numerictype('WordLength', 32, 'FractionLength', 30)

T =

    DataTypeMode: Fixed-point: binary point scaling
      Signed: true
    WordLength: 32
  FractionLength: 30

F = fimath('RoundMode', 'floor', 'OverflowMode', 'wrap')

F =

    RoundMode: floor
  OverflowMode: wrap
    ProductMode: FullPrecision
MaxProductWordLength: 128
      SumMode: FullPrecision
MaxSumWordLength: 128
    CastBeforeSum: true

a = fi(pi, T, F)

a =

    -0.8584
```

```
        DataTypeMode: Fixed-point: binary point scaling
          Signed: true
          WordLength: 32
        FractionLength: 30

          RoundMode: floor
          OverflowMode: wrap
          ProductMode: FullPrecision
    MaxProductWordLength: 128
          SumMode: FullPrecision
    MaxSumWordLength: 128
          CastBeforeSum: true

b = fi(pi/2, T, F)

b =

    1.5708
```

```
        DataTypeMode: Fixed-point: binary point scaling
          Signed: true
          WordLength: 32
        FractionLength: 30

          RoundMode: floor
          OverflowMode: wrap
          ProductMode: FullPrecision
    MaxProductWordLength: 128
          SumMode: FullPrecision
    MaxSumWordLength: 128
          CastBeforeSum: true
```

## Using fimath ProductMode and SumMode

### In this section...

“Example Setup” on page 4-19

“FullPrecision” on page 4-20

“KeepLSB” on page 4-21

“KeepMSB” on page 4-22

“SpecifyPrecision” on page 4-23

### Example Setup

The examples in the sections of this topic show the differences among the four settings of the ProductMode and SumMode properties:

- FullPrecision
- KeepLSB
- KeepMSB
- SpecifyPrecision

To follow along, first set the following preferences:

```
p = fipref;
p.NumericTypeDisplay = 'short';
p.FimathDisplay = 'none';
p.LoggingMode = 'on';
F = fimath('OverflowMode','wrap','RoundMode','floor',...
    'CastBeforeSum',false);
warning off
format compact
```

Next define `fi` objects `a` and `b`. Both have signed 8-bit data types. The fraction length is automatically chosen for each `fi` object to yield the best possible precision:

```
a = fi(pi, true, 8)
a =
```

```
3.1563
s8,5
b = fi(exp(1), true, 8)
b =
2.7188
s8,5
```

## FullPrecision

Now set ProductMode and SumMode for a and b to FullPrecision and look at some results:

```
F.ProductMode = 'FullPrecision';
F.SumMode = 'FullPrecision';
a.fimath = F;
b.fimath = F;
a
a =
3.1563 %011.00101
s8,5
b
b =
2.7188 %010.10111
s8,5
a*b
ans =
8.5811 %001000.1001010011
s16,10
a+b
ans =
5.8750 %0101.11100
s9,5
```

In FullPrecision mode, the product word length grows to the sum of the word lengths of the operands. In this case, each operand has 8 bits, so the product word length is 16 bits. The product fraction length is the sum of the fraction lengths of the operands, in this case  $5 + 5 = 10$  bits.

The sum word length grows by one most significant bit to accommodate the possibility of a carry bit. The sum fraction length is aligned with the fraction

lengths of the operands, and all fractional bits are kept for full precision. In this case, both operands have 5 fractional bits, so the sum has 5 fractional bits.

## KeepLSB

Now set ProductMode and SumMode for a and b to KeepLSB and look at some results:

```
F.ProductMode = 'KeepLSB';
F.ProductWordLength = 12;
F.SumMode = 'KeepLSB';
F.SumWordLength = 12;
a.fimath = F;
b.fimath = F;
a
a =
    3.1563    %011.00101
         s8,5
b
b =
    2.7188    %010.10111
         s8,5
a*b
ans =
    0.5811    %00.1001010011
         s12,10
a+b
ans =
    5.8750    %0000101.11100
         s12,5
```

In KeepLSB mode, you specify the word lengths and the least significant bits of results are automatically kept. This mode models the behavior of integer operations in the C language.

The product fraction length is the sum of the fraction lengths of the operands. In this case, each operand has 5 fractional bits, so the product fraction length is 10 bits. In this mode, all 10 fractional bits are kept. Overflow occurs because the full-precision result requires 6 integer bits, and only 2 integer bits remain in the product.

The sum fraction length is aligned with the fraction lengths of the operands, and in this model all least significant bits are kept. In this case, both operands had 5 fractional bits, so the sum has 5 fractional bits. The full-precision result requires 4 integer bits, and 7 integer bits remain in the sum, so no overflow occurs in the sum.

### KeepMSB

Now set ProductMode and SumMode for a and b to KeepMSB and look at some results:

```
F.ProductMode = 'KeepMSB';
F.ProductWordLength = 12;
F.SumMode = 'KeepMSB';
F.SumWordLength = 12;
a.fimath = F;
b.fimath = F;
a
a =
    3.1563    %011.00101
         s8,5
b
b =
    2.7188    %010.10111
         s8,5
a*b
ans =
    8.5781    %001000.100101
         s12,6
a+b
ans =
    5.8750    %0101.11100000
         s12,8
```

In KeepMSB mode, you specify the word lengths and the most significant bits of sum and product results are automatically kept. This mode models the behavior of many DSP devices where the product and sum are kept in double-wide registers, and the programmer chooses to transfer the most significant bits from the registers to memory after each operation.

The full-precision product requires 6 integer bits, and the fraction length of the product is adjusted to accommodate all 6 integer bits in this mode. No overflow occurs. However, the full-precision product requires 10 fractional bits, and only 6 are available. Therefore, precision is lost.

The full-precision sum requires 4 integer bits, and the fraction length of the sum is adjusted to accommodate all 4 integer bits in this mode. The full-precision sum requires only 5 fractional bits; in this case there are 8, so there is no loss of precision.

## SpecifyPrecision

Now set ProductMode and SumMode for a and b to SpecifyPrecision and look at some results:

```
F.ProductMode = 'SpecifyPrecision';
F.ProductWordLength = 8;
F.ProductFractionLength = 7;
F.SumMode = 'SpecifyPrecision';
F.SumWordLength = 8;
F.SumFractionLength = 7;
a.fimath = F;
b.fimath = F;
a
a =
    3.1563    %011.00101
         s8,5
b
b =
    2.7188    %010.10111
         s8,5
a*b
ans =
    0.5781    %0.1001010
         s8,7
a+b
ans =
   -0.1250    %1.1110000
         s8,7
```

In `SpecifyPrecision` mode, you must specify both word length and fraction length for sums and products. This example unwisely uses fractional formats for the products and sums, with 8-bit word lengths and 7-bit fraction lengths.

The full-precision product requires 6 integer bits, and the example specifies only 1, so the product overflows. The full-precision product requires 10 fractional bits, and the example only specifies 7, so there is precision loss in the product.

The full-precision sum requires 2 integer bits, and the example specifies only 1, so the sum overflows. The full-precision sum requires 5 fractional bits, and the example specifies 7, so there is no loss of precision in the sum.



## fimath Object Functions

The following functions operate directly on `fimath` objects:

- `add`
- `disp`
- `fimath`
- `get`
- `isequal`
- `isfimath`
- `mpy`
- `sub`

You can learn about the functions associated with `fimath` objects in the [Function Reference](#).



# Working with fipref Objects

---

Constructing fipref Objects (p. 5-2)	Teaches you how to create fipref objects
fipref Object Properties (p. 5-3)	Tells you how to find more information about the properties associated with fipref objects, and shows you how to set these properties
Using fipref Objects to Set Display Preferences (p. 5-5)	Gives examples of using fipref objects to set display preferences for fi objects
Using fipref Objects to Set Logging Preferences (p. 5-7)	Gives examples of using fipref objects to set logging preferences for fi objects
Using fipref Objects to Set Data Type Override Preferences (p. 5-12)	Describes how to use the fipref object to perform data type override
fipref Object Functions (p. 5-15)	Introduces the functions in the toolbox that operate directly on fipref objects

## Constructing fipref Objects

The fipref object defines the display and logging attributes for all fi objects. You can use the fipref constructor function to create a new object.

To get started, type

```
P = fipref
```

to create a default fipref object.

```
P =  
    NumberDisplay: 'RealWorldValue'  
    NumericTypeDisplay: 'full'  
    FimathDisplay: 'full'  
    LoggingMode: 'Off'  
    DataTypeOverride: 'ForceOff'
```

The syntax

```
P = fipref(...'PropertyName','PropertyValue'...)
```

allows you to set properties for a fipref object at object creation with property name/property value pairs.

Your fipref settings persist throughout your MATLAB session. Use `reset(fipref)` to return to the default settings during your session. Use `savefipref` to save your display preferences for subsequent MATLAB sessions.

## fipref Object Properties

### In this section...

“Display, Data Type Override, and Logging Properties” on page 5-3

“Setting fipref Properties at Object Creation” on page 5-3

“Using Direct Property Referencing with fipref” on page 5-4

### Display, Data Type Override, and Logging Properties

The following properties of `fipref` objects are always writable:

- `FimathDisplay` — Display options for the `fimath` attributes of a `fi` object
- `DataTypeOverride` — Data type override options
- `LoggingMode` — Logging options for operations performed on `fi` objects
- `NumericTypeDisplay` — Display options for the numeric type attributes of a `fi` object
- `NumberDisplay` — Display options for the value of a `fi` object

These properties are described in detail in the Property Reference. There are two ways to specify properties for `fipref` objects in Fixed-Point Toolbox. Refer to the following sections.

### Setting fipref Properties at Object Creation

You can set properties of `fipref` objects at the time of object creation by including properties after the arguments of the `fipref` constructor function. For example, to set `NumberDisplay` to `bin` and `NumericTypeDisplay` to `short`,

```
P = fipref('NumberDisplay', 'bin', ...
         'NumericTypeDisplay', 'short')
```

```
P =
    NumberDisplay: 'bin'
 NumericTypeDisplay: 'short'
    FimathDisplay: 'full'
    LoggingMode: 'Off'
```

```
DataTypeOverride: 'ForceOff'
```

## Using Direct Property Referencing with fipref

You can reference directly into a property for setting or retrieving fipref object property values using MATLAB structure-like referencing. You do this by using a period to index into a property by name.

For example, to get the NumberDisplay of P,

```
P.NumberDisplay
```

```
ans =
```

```
bin
```

To set the NumericTypeDisplay of P,

```
P.NumericTypeDisplay = 'full'
```

```
P =
```

```
    NumberDisplay: 'bin'  
NumericTypeDisplay: 'full'  
    FimathDisplay: 'full'  
    LoggingMode: 'Off'  
    DataTypeOverride: 'ForceOff'
```

## Using fipref Objects to Set Display Preferences

You use the `fipref` object to dictate three aspects of the display of `fi` objects: how the value of a `fi` object is displayed, how the `fimath` properties are displayed, and how the `numericType` properties are displayed.

For example, the following shows the default `fipref` display for a `fi` object:

```
a = fi(pi)

a =

    3.1416

    DataTypeMode: Fixed-point: binary point scaling
           Signed: true
           WordLength: 16
    FractionLength: 13

           RoundMode: nearest
           OverflowMode: saturate
           ProductMode: FullPrecision
    MaxProductWordLength: 128
           SumMode: FullPrecision
    MaxSumWordLength: 128
           CastBeforeSum: true
```

Now, change the `fipref` display properties:

```
P = fipref;
P.NumberDisplay = 'bin';
P.NumericTypeDisplay = 'short';
P.FimathDisplay = 'none'

P =

    NumberDisplay: 'bin'
    NumericTypeDisplay: 'short'
    FimathDisplay: 'none'
    LoggingMode: 'Off'
```

```
        DataTypeOverride: 'ForceOff'  
a  
  
a =  
0110010010001000  
s16,13
```



## Using fipref Objects to Set Logging Preferences

### In this section...

“Logging Overflows and Underflows as Warnings” on page 5-7

“Accessing Logged Information with Functions” on page 5-9

### Logging Overflows and Underflows as Warnings

Overflows and underflows are logged as warnings for all assignment, plus, minus, and multiplication operations when the fipref LoggingMode property is set to on. For example, try the following:

- 1 Create a signed fi object that is a vector of values from 1 to 5, with 8-bit word length and 6-bit fraction length.

```
a = fi(1:5,1,8,6);
```

- 2 Define the fimath object associated with a, and indicate that you will specify the sum and product word and fraction lengths.

```
F = a.fimath;  
F.SumMode = 'SpecifyPrecision';  
F.ProductMode = 'SpecifyPrecision';  
a.fimath = F;
```

- 3 Define the fipref object and turn on overflow and underflow logging.

```
P = fipref;  
P.LoggingMode = 'on';
```

- 4 Suppress the numericType and fimath displays.

```
P.NumericTypeDisplay = 'none';  
P.FimathDisplay = 'none';
```

- 5 Specify the sum and product word and fraction lengths.

```
a.SumWordLength = 16;  
a.SumFractionLength = 15;
```

```
a.ProductWordLength = 16;  
a.ProductFractionLength = 15;
```

- 6** Warnings are displayed for overflows and underflows in assignment operations. For example, try:

```
a(1) = pi  
Warning: 1 overflow occurred in the fi assignment operation.
```

```
a =
```

```
    1.9844    1.9844    1.9844    1.9844    1.9844  
a(1) = double(eps(a))/10  
Warning: 1 underflow occurred in the fi assignment operation.
```

```
a =
```

```
    0    1.9844    1.9844    1.9844    1.9844
```

- 7** Warnings are displayed for overflows and underflows in addition and subtraction operations. For example, try:

```
a+a  
Warning: 12 overflows occurred in the fi + operation.
```

```
ans =
```

```
    0    1.0000    1.0000    1.0000    1.0000
```

```
a-a
```

```
Warning: 8 overflows occurred in the fi - operation.
```

```
ans =
```

```
    0    0    0    0    0
```

- 8** Warnings are displayed for overflows and underflows in multiplication operations. For example, try:

```
a.*a
```

```
Warning: 4 product overflows occurred in the fi .* operation.
```

```

ans =

      0      1.0000      1.0000      1.0000      1.0000

a*a'
Warning: 4 product overflows occurred in the fi * operation.
Warning: 3 sum overflows occurred in the fi * operation.

ans =

      1.0000

```

The final example above is a complex multiplication that requires both multiplication and addition operations. The warnings inform you of overflows and underflows in both.

Because overflows and underflows are logged as warnings, you can use the `dbstop` MATLAB function with the syntax

```
dbstop if warning
```

to find the exact lines in an M-file that are causing overflows or underflows.

Use

```
dbstop if warning fi:underflow
```

to stop only on lines that cause an underflow. Use

```
dbstop if warning fi:overflow
```

to stop only on lines that cause an overflow.

## Accessing Logged Information with Functions

When the `fipref` `LoggingMode` property is set to on, you can use the following functions to return logged information about assignment and creation operations to the MATLAB command line:

- `maxlog` — Returns the maximum real-world value

- `minlog` — Returns the minimum value
- `noverflows` — Returns the number of overflows
- `nunderflows` — Returns the number of underflows

`LoggingMode` must be set to `on` before you perform any operation in order to log information about it. To clear the log, use the function `resetlog`.

For example, consider the following. First turn logging on, then perform operations, and then finally get information about the operations:

```
fipref('LoggingMode','on');  
x = fi([-1.5 eps 0.5], true, 16, 15);  
x(1) = 3.0;  
maxlog(x)
```

```
ans =
```

```
3
```

```
minlog(x)
```

```
ans =
```

```
-1.5000
```

```
noverflows(x)
```

```
ans =
```

```
2
```

```
nunderflows(x)
```

```
ans =
```

```
1
```

Next, reset the log and request the same information again. Note that the functions return empty [], because logging has been reset since the operations were run:

```
resetlog(x)
maxlog(x)

ans =

    []

minlog(x)

ans =

    []

noverflows(x)

ans =

    []

nunderflows(x)

ans =

    []
```

## Using fipref Objects to Set Data Type Override Preferences

### In this section...

“Overriding the Data Type of fi Objects” on page 5-12

“Using Data Type Override to Help Set Fixed-Point Scaling” on page 5-13

### Overriding the Data Type of fi Objects

Use the fipref `DataTypeOverride` property to override `fi` objects with singles, doubles, or scaled doubles. Data type override only occurs when the `fi` constructor function is called. Objects that are created while data type override is on have the overridden data type. They maintain that data type when data type override is later turned off. To obtain an object with a data type that is not the override data type, you must create an object when data type override is off:

```
p = fipref('DataTypeOverride', 'TrueDoubles')

p =

    NumberDisplay: 'RealWorldValue'
 NumericTypeDisplay: 'full'
   FimathDisplay: 'full'
    LoggingMode: 'Off'
  DataTypeOverride: 'TrueDoubles'

a = fi(pi)

a =

    3.1416

    DataTypeMode: double

p = fipref('DataTypeOverride', 'ForceOff')

p =
```

```
        NumberDisplay: 'RealWorldValue'  
NumericTypeDisplay: 'full'  
        FimathDisplay: 'full'  
        LoggingMode: 'Off'  
        DataTypeOverride: 'ForceOff'  
  
a  
  
a =  
  
    3.1416  
  
        DataTypeMode: double  
  
b = fi(pi)  
  
b =  
  
    3.1416  
  
        DataTypeMode: Fixed-point: binary point scaling  
        Signed: true  
        WordLength: 16  
        FractionLength: 13
```

---

**Tip** To reset the `fipref` object to its default values use `reset(fipref)` or `reset(p)`, where `p` is a `fipref` object. This is useful to ensure that data type override and logging are off.

---

## Using Data Type Override to Help Set Fixed-Point Scaling

Choosing the scaling for the fixed-point variables in your algorithms can be difficult. In Fixed-Point Toolbox, you can use a combination of data type override and min/max logging to help you discover the numerical ranges that your fixed-point data types need to cover. These ranges dictate the appropriate scalings for your fixed-point data types. In general, the procedure is

- 1** Implement your algorithm using fixed-point `fi` objects, using initial “best guesses” for word lengths and scalings.
- 2** Set the `fipref` `DataTypeOverride` property to `ScaledDoubles`, `TrueSingles`, or `TrueDoubles`.
- 3** Set the `fipref` `LoggingMode` property to `on`.
- 4** Use the `maxlog` and `minlog` functions to log the maximum and minimum values achieved by the variables in your algorithm in floating-point mode.
- 5** Set the `fipref` `DataTypeOverride` property to `ForceOff`.
- 6** Use the information obtained in step 4 to set the fixed-point scaling for each variable in your algorithm such that the full numerical range of each variable is representable by its data type and scaling.

A detailed example of this process is shown in the Fixed-Point Toolbox “Fixed-Point Data Type Override, Min/Max Logging, and Scaling” demo.



## fipref Object Functions

The following functions operate directly on fipref objects:

- `disp`
- `fipref`
- `get`
- `reset`
- `savefipref`

You can learn about the functions associated with fipref objects in the Function Reference.



# Working with numerictype Objects

---

Constructing numerictype Objects (p. 6-2)	Teaches you how to create numerictype objects
numerictype Object Properties (p. 6-6)	Tells you how to find more information about the properties associated with numerictype objects, and shows you how to set these properties
The numerictype Structure (p. 6-10)	Presents the numerictype object as a MATLAB structure, and gives the valid fields and settings for those fields
Using numerictype Objects to Share Data Type and Scaling Settings (p. 6-13)	Gives an example of using a numerictype object to share modular data type and scaling information among multiple <code>fi</code> objects
numerictype Object Functions (p. 6-16)	Introduces the functions in the toolbox that operate directly on numerictype objects

## Constructing numerictype Objects

### In this section...

“numerictype Object Syntaxes” on page 6-2

“Examples of Constructing numerictype Objects” on page 6-3

### numerictype Object Syntaxes

numerictype objects define the data type and scaling attributes of `fi` objects. You can create numerictype objects in Fixed-Point Toolbox in one of two ways:

- You can use the numerictype constructor function to create a new object.
- You can use the numerictype constructor function to copy an existing numerictype object.

To get started, type

```
T = numerictype
```

to create a default numerictype object.

```
T =
```

```
      DataTypeMode: Fixed-point: binary point scaling
              Signed: true
              WordLength: 16
              FractionLength: 15
```

You can use the numerictype constructor function in the following ways:

- `T = numerictype` creates a default numerictype object.
- `T = numerictype(s)` creates a numerictype object with Fixed-point: unspecified scaling, signedness `s`, and 16-bit word length.
- `T = numerictype(s,w)` creates a numerictype object with Fixed-point: unspecified scaling, signedness `s`, and word length `w`.

- `T = numerictype(s,w,f)` creates a numerictype object with Fixed-point: binary point scaling, signedness `s`, word length `w`, and fraction length `f`.
- `T = numerictype(s,w,slope,bias)` creates a numerictype object with Fixed-point: slope and bias scaling, signedness `s`, word length `w`, slope, and bias.
- `T = numerictype(s,w,slopeadjustmentfactor,fixedexponent,bias)` creates a numerictype object with Fixed-point: slope and bias scaling, signedness `s`, word length `w`, slopeadjustmentfactor, fixedexponent, and bias.
- `T = numerictype(property1,value1, ...)` allows you to set properties for a numerictype object using property name/property value pairs.
- `T = numerictype(T1, property1, value1, ...)` allows you to make a copy of an existing numerictype object, while modifying any or all of the property values.
- `T = numerictype('double')` creates a double numerictype.
- `T = numerictype('single')` creates a single numerictype.
- `T = numerictype('boolean')` creates a Boolean numerictype.

## Examples of Constructing numerictype Objects

For example, the following creates a signed numerictype object with a 32-bit word length and 30-bit fraction length.

```
T = numerictype(1, 32, 30)
```

```
T =
```

```

      DataTypeMode: Fixed-point: binary point scaling
              Signed: true
             WordLength: 32
          FractionLength: 30

```

If you omit the argument `f`, scaling is unspecified.

```
T = numerictype(1, 32)
```

```
T =
```

```
    DataTypeMode: Fixed-point: unspecified scaling
      Signed: true
    WordLength: 32
```

If you omit the arguments `w` and `f`, the word length is automatically set to 16 bits and the scaling is unspecified.

```
T = numerictype(1)
```

```
T =
```

```
    DataTypeMode: Fixed-point: unspecified scaling
      Signed: true
    WordLength: 16
```

### Constructing a numerictype Object with Property Name/Property Value Pairs

You can use property name/property value pairs to set numerictype properties when you create the object.

```
T = numerictype('Signed', true, 'DataTypeMode', ...
    'Fixed-point: slope and bias', 'WordLength', 32, 'Slope', ...
    2^-2, 'Bias', 4)
```

```
T =
```

```
    DataTypeMode: Fixed-point: slope and bias scaling
      Signed: true
    WordLength: 32
      Slope: 0.25
      Bias: 4
```

## Copying a numerictype Object

To copy a numerictype object, simply use assignment as in the following example:

```
T = numerictype;  
U = T;  
isequal(T,U)
```

```
ans =
```

```
1
```

## numerictype Object Properties

In this section...
“Data Type and Scaling Properties” on page 6-6
“Setting numerictype Properties at Object Creation” on page 6-7
“Using Direct Property Referencing with numerictype Objects” on page 6-7
“Setting numerictype Properties in the Model Explorer” on page 6-8

### Data Type and Scaling Properties

All the properties of a numerictype object are writable. However, the numerictype properties of a fi object are not writable once the fi object has been created:

- Bias — Bias
- DataType — Data type category
- DataTypeMode — Data type and scaling mode
- FixedExponent — Fixed-point exponent
- SlopeAdjustmentFactor — Slope adjustment
- FractionLength — Fraction length of the stored integer value, in bits
- Scaling — Fixed-point scaling mode
- Signed — Signed or unsigned
- Slope — Slope
- WordLength — Word length of the stored integer value, in bits

These properties are described in detail in the Property Reference. There are two ways to specify properties for numerictype objects in Fixed-Point Toolbox. Refer to the following sections.



## Setting numerictype Properties at Object Creation

You can set properties of numerictype objects at the time of object creation by including properties after the arguments of the numerictype constructor function.

For example, to set the word length to 32 bits and the fraction length to 30 bits,

```
T = numerictype('WordLength', 32, 'FractionLength', 30)
```

```
T =
```

```

        DataTypeMode: Fixed-point: binary point scaling
              Signed: true
            WordLength: 32
        FractionLength: 30
    
```

## Using Direct Property Referencing with numerictype Objects

You can reference directly into a property for setting or retrieving numerictype object property values using MATLAB structure-like referencing. You do this by using a period to index into a property by name.

For example, to get the word length of T,

```
T.WordLength
```

```
ans =
```

```
32
```

To set the fraction length of T,

```
T.FractionLength = 31
```

```
T =
```

```

        DataTypeMode: Fixed-point: binary point scaling
    
```

```
Signed: true
WordLength: 32
FractionLength: 31
```

### Setting numerictype Properties in the Model Explorer

You can view and change the properties for any numerictype object defined in the MATLAB workspace in the Model Explorer. Open the Model Explorer by selecting **View > Model Explorer** in any Simulink model, or by typing `daexplr` at the MATLAB command line.

The figure below shows the Model Explorer when you define the following numerictype objects in the MATLAB workspace:

```
T = numerictype
```

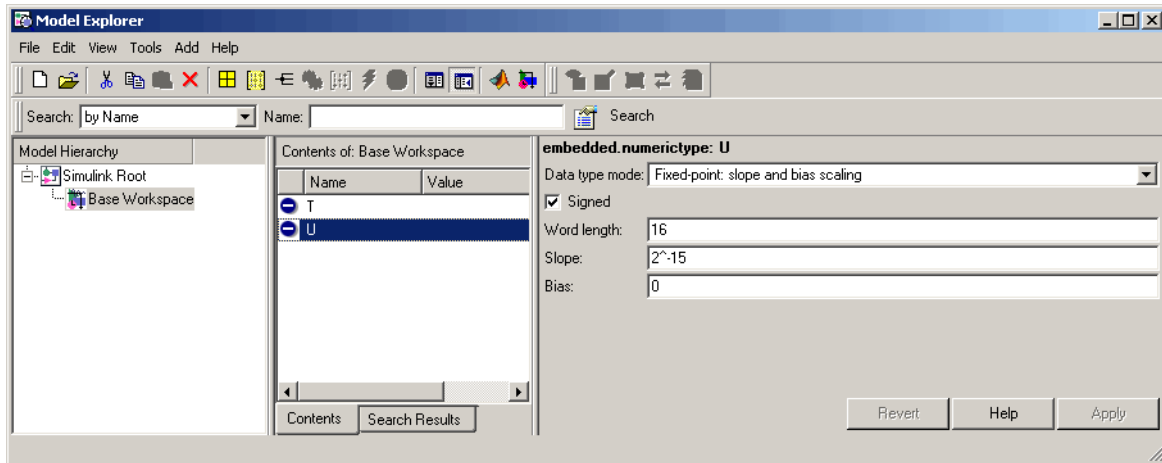
```
T =
```

```
DataTypeMode: Fixed-point: binary point scaling
Signed: true
WordLength: 16
FractionLength: 15
```

```
U = numerictype('DataTypeMode', 'Fixed-point: slope and bias')
```

```
U =
```

```
DataTypeMode: Fixed-point: slope and bias scaling
Signed: true
WordLength: 16
Slope: 2^-15
Bias: 0
```



Select the **Base Workspace** node in the **Model Hierarchy** pane to view the current objects in the **Contents** pane. When you select a numerictype object in the **Contents** pane, you can view and change its properties in the **Dialog** pane.

## The numerictype Structure

### In this section...

“Possible Values of the numerictype Structure Properties” on page 6-10

“Properties That Affect the Slope” on page 6-11

“Stored Integer Value and Real World Value” on page 6-12

### Possible Values of the numerictype Structure Properties

The numerictype object contains all the data type and scaling attributes of a `fi` object. The object acts the same way as any MATLAB structure, except that it only lets you set valid values for defined fields. The following table shows the possible settings of each field of the structure that are valid for `fi` objects.

<b>DataTypeMode</b>	<b>DataType</b>	<b>Scaling</b>	<b>Signed</b>	<b>Word- Length</b>	<b>Fraction- Length</b>	<b>Slope</b>	<b>Bias</b>
<i>Fully specified fixed-point data types</i>							
Fixed-point: binary point scaling	Fixed	BinaryPoint	1/0  true/ false	positive integer from 1 to 65,536	positive or negative integer	1	0
Fixed-point: slope and bias scaling	Fixed	SlopeBias	1/0  true/ false	positive integer from 1 to 65,536	N/A	any floating- point number	any floating- point number
<i>Partially specified fixed-point data type</i>							
Fixed-point: unspecified scaling	Fixed	Unspecified	1/0  true/ false	positive integer from 1 to 65,536	N/A	N/A	N/A

<b>DataTypeMode</b>	<b>DataType</b>	<b>Scaling</b>	<b>Signed</b>	<b>Word- Length</b>	<b>Fraction- Length</b>	<b>Slope</b>	<b>Bias</b>
<i>Fully specified scaled double data types</i>							
Scaled double: binary point scaling	ScaledDouble	BinaryPoint	1/0 true/ false	positive integer from 1 to 65,536	positive or negative integer	1	0
Scaled double: slope and bias scaling	ScaledDouble	SlopeBias	1/0 true/ false	positive integer from 1 to 65,536	N/A	any floating-point number	any floating-point number
<i>Partially specified scaled double data type</i>							
Scaled double: unspecified scaling	ScaledDouble	Unspecified	1/0 true/ false	positive integer from 1 to 65,536	N/A	N/A	N/A
<i>Built-in data types</i>							
double	double	N/A	1 true	64	0	1	0
single	single	N/A	1 true	32	0	1	0
boolean	boolean	N/A	0 false	1	0	1	0

You cannot change the numerictype properties of a fi object after fi object creation.

## Properties That Affect the Slope

The **Slope** field of the numerictype structure is related to the SlopeAdjustmentFactor and FixedExponent properties by

$$\text{slope} = \text{slope adjustment factor} \times 2^{\text{fixed exponent}}$$

The FixedExponent and FractionLength properties are related by

$$\text{fixed exponent} = -\text{fraction length}$$

If you set the SlopeAdjustmentFactor, FixedExponent, or FractionLength property, the **Slope** field is modified.

### **Stored Integer Value and Real World Value**

The numerictype StoredIntegerValue and RealWorldValue properties are related according to

$$\text{real - world value} = \text{stored integer value} \times 2^{\text{fraction length}}$$

which is equivalent to

$$\begin{aligned} \text{real - world value} = \text{stored integer value} \\ \times (\text{slope adjustment factor} \times 2^{\text{fixed exponent}}) + \text{bias} \end{aligned}$$

If any of these properties is updated, the others are modified accordingly.

## Using numerictype Objects to Share Data Type and Scaling Settings

You can use a numerictype object to define common data type and scaling rules that you would like to use for many fi objects. You can then create multiple fi objects, using the same numerictype object for each. The following example shows the creation of a numerictype object, which is then used to create two fi objects with the same numerictype attributes:

```
format long g
T = numerictype('WordLength',32,'FractionLength',28)

T =

        DataTypeMode: Fixed-point: binary point scaling
           Signed: true
        WordLength: 32
    FractionLength: 28

a = fi(pi,T)

a =

        3.1415926553309

        DataTypeMode: Fixed-point: binary point scaling
           Signed: true
        WordLength: 32
    FractionLength: 28

        RoundMode: nearest
    OverflowMode: saturate
    ProductMode: FullPrecision
MaxProductWordLength: 128
        SumMode: FullPrecision
MaxSumWordLength: 128
    CastBeforeSum: true
```

```
b = fi(pi/2, T)
```

```
b =
```

```
1.5707963258028
```

```
DataTypeMode: Fixed-point: binary point scaling  
Signed: true  
WordLength: 32  
FractionLength: 28
```

```
RoundMode: nearest  
OverflowMode: saturate  
ProductMode: FullPrecision  
MaxProductWordLength: 128  
SumMode: FullPrecision  
MaxSumWordLength: 128  
CastBeforeSum: true
```

The following example shows the creation of a numerictype object with [Slope Bias] scaling, which is then used to create two fi objects with the same numerictype attributes:

```
T = numerictype('scaling','slopebias','slope', 2^2, 'bias', 0)
```

```
T =
```

```
DataTypeMode: Fixed-point: slope and bias scaling  
Signed: true  
WordLength: 16  
Slope: 2^2  
Bias: 0
```



```
c = fi(pi, T)
```

```
c =
```

```
4
```

```
    DataTypeMode: Fixed-point: slope and bias scaling
```

```
        Signed: true
```

```
    WordLength: 16
```

```
        Slope: 2^2
```

```
        Bias: 0
```

```
        RoundMode: nearest
```

```
    OverflowMode: saturate
```

```
        ProductMode: FullPrecision
```

```
MaxProductWordLength: 128
```

```
        SumMode: FullPrecision
```

```
MaxSumWordLength: 128
```

```
CastBeforeSum: true
```

```
d = fi(pi/2, T)
```

```
d =
```

```
0
```

```
    DataTypeMode: Fixed-point: slope and bias scaling
```

```
        Signed: true
```

```
    WordLength: 16
```

```
        Slope: 2^2
```

```
        Bias: 0
```

```
        RoundMode: nearest
```

```
    OverflowMode: saturate
```

```
        ProductMode: FullPrecision
```

```
MaxProductWordLength: 128
```

```
        SumMode: FullPrecision
```

```
MaxSumWordLength: 128
```

```
CastBeforeSum: true
```

### numerictype Object Functions

The following functions operate directly on numerictype objects:

- `disp`
- `divide`
- `get`
- `isequal`
- `isnumerictype`

You can learn about the functions associated with numerictype objects in the Function Reference.

# Working with quantizer Objects

---

Constructing quantizer Objects (p. 7-2)	Explains how to create quantizer objects
quantizer Object Properties (p. 7-3)	Outlines the properties of the quantizer objects
Quantizing Data with quantizer Objects (p. 7-4)	Discusses using quantizer objects to quantize data—how and what quantizing data does
Transformations for Quantized Data (p. 7-6)	Offers a brief explanation of transforming quantized data between representations
quantizer Object Functions (p. 7-7)	Introduces the functions in the toolbox that operate directly on quantizer objects

## Constructing quantizer Objects

You can use quantizer objects to quantize data sets. You can create quantizer objects in Fixed-Point Toolbox in one of two ways:

- You can use the `quantizer` constructor function to create a new object.
- You can use the `quantizer` constructor function to copy a quantizer object.

To create a quantizer object with default properties, type

```
q = quantizer

q =

    DataMode = fixed
    RoundMode = floor
    OverflowMode = saturate
    Format = [16 15]
```

To copy a quantizer object, simply use assignment as in the following example:

```
q = quantizer;
r = q;
isequal(q,r)

ans =

    1
```

A listing of all the properties of the quantizer object `q` you just created is displayed along with the associated property values. All property values are set to defaults when you construct a quantizer object this way. See “quantizer Object Properties” on page 7-3 for more details.

## quantizer Object Properties

The following properties of quantizer objects are always writable:

- `DataMode` — Type of arithmetic used in quantization
- `Format` — Data format of a quantizer object
- `OverflowMode` — Overflow-handling mode
- `RoundMode` — Rounding mode

See the Property Reference for more details about these properties, including their possible values.

For example, to create a fixed-point quantizer object with

- The `Format` property value set to `[16,14]`
- The `OverflowMode` property value set to `'saturate'`
- The `RoundMode` property value set to `'ceil'`

type

```
q = quantizer('datamode','fixed','format',[16,14],'overflowmode',...  
             'saturate','roundmode','ceil')
```

You do not have to include quantizer object property names when you set quantizer object property values.

For example, you can create quantizer object `q` from the previous example by typing

```
q = quantizer('fixed',[16,14],'saturate','ceil')
```

---

**Note** You do not have to include default property values when you construct a quantizer object. In this example, you could leave out `'fixed'` and `'saturate'`.

---

## Quantizing Data with quantizer Objects

You construct a quantizer object to specify the quantization parameters to use when you quantize data sets. You can use the `quantize` function to quantize data according to a quantizer object's specifications.

Once you quantize data with a quantizer object, its state values might change.

The following example shows

- How you use `quantize` to quantize data
- How quantization affects quantizer object states
- How you reset quantizer object states to their default values using `reset`

**1** Construct an example data set and a quantizer object.

```
format long g
randn('state',0);
x = randn(100,4);
q = quantizer([16,14]);
```

**2** Retrieve the values of the `maxlog` and `noverflows` states.

```
q.maxlog
ans =
    -1.79769313486232e+308

q.noverflows
ans =
    0
```

Note that `maxlog` is equal to `-realmax`, which indicates that the quantizer `q` is in a reset state.

**3** Quantize the data set according to the quantizer object's specifications.

```
y = quantize(q,x);  
Warning: 15 overflows.
```

**4** Check the values of maxlog and noverflows.

```
q.maxlog  
  
ans =  
  
1.99993896484375  
  
q.noverflows  
  
ans =  
  
15
```

Note that the maximum logged value was taken after quantization, that is, `q.maxlog == max(y)`.

**5** Reset the quantizer states and check them.

```
reset(q)  
q.maxlog  
  
ans =  
  
-1.79769313486232e+308  
  
q.noverflows  
  
ans =  
  
0
```

## Transformations for Quantized Data

You can convert data values from numeric to hexadecimal or binary according to a quantizer object's specifications.

Use

- `num2bin` to convert data to binary
- `num2hex` to convert data to hexadecimal
- `hex2num` to convert hexadecimal data to numeric
- `bin2num` to convert binary data to numeric

For example,

```
q = quantizer([3 2]);
x = [0.75  -0.25
     0.50  -0.50
     0.25  -0.75
     0     -1   ];
b = num2bin(q,x)
```

```
b =
011
010
001
000
111
110
101
100
```

produces all two's complement fractional representations of 3-bit fixed-point numbers.



## quantizer Object Functions

The functions in the table below operate directly on quantizer objects.

bin2num	copyobj	denormalmax	denormalmin	disp
eps	exponentbias	exponentlength	exponentmax	exponentmin
fractionlength	get	hex2num	isequal	length
max	min	noperations	noverflows	num2bin
num2hex	num2int	nunderflows	quantize	quantizer
randquant	range	realmax	realmin	reset
round	set	tostring	wordlength	

You can learn about the functions associated with quantizer objects in the [Function Reference](#).



# Working with the Fixed-Point Embedded MATLAB™ Subset

---

Supported Functions and  
Limitations of Fixed-Point  
Embedded MATLAB™ (p. 8-2)

Fixed-Point Embedded MATLAB™  
Features (p. 8-8)

Lists the Fixed-Point Toolbox  
features supported by the Embedded  
MATLAB subset

Introduces you to Embedded  
MATLAB MEX and the Embedded  
MATLAB Function block

## Supported Functions and Limitations of Fixed-Point Embedded MATLAB™

The Embedded MATLAB subset is a restricted subset of the MATLAB language that provides optimizations for:

- Generating efficient, production-quality C code for embedded applications. Embedded MATLAB restricts MATLAB semantics to meet the memory and data type requirements of embedded target environments.
- Accelerating fixed-point algorithms.

For more information about the Embedded MATLAB subset, refer to the “Embedded MATLAB” documentation. The Embedded MATLAB subset supports a significant number of Fixed-Point Toolbox functions, which are listed in the table below. The following general limitations always apply to the use of Fixed-Point Toolbox with Embedded MATLAB:

- `fipref` and quantizer objects are not supported.
- Dot notation is only supported for getting the values of `fimath` and `numericType` properties. Dot notation is not supported for `fi` objects, and it is not supported for setting properties.
- Word lengths larger than 32 bits are not supported.
- It is illegal to change the `fimath` or `numericType` of a given variable once it has been created.
- The `boolean` and `ScaledDouble` values of the `DataTypeMode` and `DataType` properties are not supported.
- `convergent` rounding is not supported.
- The `false` value of the `CastBeforeSum` property is not supported.
- The `numel` function works the same as MATLAB `numel` for `fi` objects in Embedded MATLAB, rather than returning 1 as in Fixed-Point Toolbox.

To learn about the general limitations of the Embedded MATLAB subset that also apply to use with Fixed-Point Toolbox, refer to “What Is Embedded MATLAB?” in the Embedded MATLAB documentation.

**Fixed-Point Toolbox Functions Supported for Use with Embedded MATLAB**

<b>Function</b>	<b>Remarks/Limitations</b>
abs	—
all	—
any	—
bitand	—
bitandreduce	—
bitcmp	—
bitconcat	—
bitget	—
bitor	—
bitorreduce	—
bitrol	—
bitror	—
bitset	—
bitshift	—
bitsliceget	—
bitsll	—
bitsra	—
bitsrl	—
bitxor	—
bitxorreduce	—
complex	—
conj	—
ctranspose	—
diag	—
disp	—

**Fixed-Point Toolbox Functions Supported for Use with Embedded MATLAB (Continued)**

<b>Function</b>	<b>Remarks/Limitations</b>
divide	<ul style="list-style-type: none"> <li>Any non-fi input must be constant; that is, its value must be known at compile time so that it can be cast to a fi object.</li> <li>Complex and imaginary divisors are not supported.</li> </ul>
double	—
end	—
eps	<ul style="list-style-type: none"> <li>Supported for scalar fixed-point signals only.</li> <li>Supported for scalar, vector, and matrix single and double signals.</li> </ul>
eq	<ul style="list-style-type: none"> <li>Not supported for fixed-point signals with different biases.</li> </ul>
fi	<ul style="list-style-type: none"> <li>Use to create a fixed-point constant or variable in Embedded MATLAB.</li> <li>The default constructor syntax without any input arguments is not supported.</li> <li>The syntax <code>fi('PropertyName',PropertyValue...)</code> is not supported. To use property name/property value pairs, you must first specify the value <code>v</code> of the fi object as in <code>fi(v, 'PropertyName', PropertyValue...)</code>.</li> <li>Works for constant input values only; that is, the value of the input must be known at compile time.</li> <li>numeric type object information must be available for nonfixed-point Simulink inputs.</li> </ul>
fimath	<ul style="list-style-type: none"> <li>Fixed-point signals coming in to an Embedded MATLAB Function block from Simulink are assigned the fimath object defined in the Embedded MATLAB Function dialog in the Model Explorer.</li> <li>Use to create fimath objects in Embedded MATLAB code.</li> </ul>
ge	<ul style="list-style-type: none"> <li>Not supported for fixed-point signals with different biases.</li> </ul>
get	<ul style="list-style-type: none"> <li>The syntax <code>structure = get(o)</code> is not supported.</li> </ul>
getlsb	—
getmsb	—

**Fixed-Point Toolbox Functions Supported for Use with Embedded MATLAB (Continued)**

<b>Function</b>	<b>Remarks/Limitations</b>
gt	<ul style="list-style-type: none"> <li>• Not supported for fixed-point signals with different biases.</li> </ul>
horzcat	—
imag	—
int8, int16, int32	—
iscolumn	—
isempty	—
isfi	—
isfimath	—
isfinite	—
isinf	—
isnan	—
isnumeric	—
isnumerictype	—
isreal	—
isrow	—
isscalar	—
assigned	—
isvector	—
le	<ul style="list-style-type: none"> <li>• Not supported for fixed-point signals with different biases.</li> </ul>
length	—
logical	—
lowerbound	—
lsb	<ul style="list-style-type: none"> <li>• Supported for scalar fixed-point signals only.</li> <li>• Supported for scalar, vector, and matrix single and double signals.</li> </ul>
lt	<ul style="list-style-type: none"> <li>• Not supported for fixed-point signals with different biases.</li> </ul>

**Fixed-Point Toolbox Functions Supported for Use with Embedded MATLAB (Continued)**

Function	Remarks/Limitations
max	—
min	—
minus	<ul style="list-style-type: none"> <li>Any non-<code>fi</code> input must be constant; that is, its value must be known at compile time so that it can be cast to a <code>fi</code> object.</li> </ul>
mtimes	<ul style="list-style-type: none"> <li>Any non-<code>fi</code> input must be constant; that is, its value must be known at compile time so that it can be cast to a <code>fi</code> object.</li> </ul>
ndims	—
ne	<ul style="list-style-type: none"> <li>Not supported for fixed-point signals with different biases.</li> </ul>
numberofelements	<ul style="list-style-type: none"> <li><code>numberofelements</code> and <code>numel</code> both work the same as MATLAB <code>numel</code> for <code>fi</code> objects in Embedded MATLAB.</li> </ul>
numerictype	<ul style="list-style-type: none"> <li>Fixed-point signals coming in to an Embedded MATLAB Function block from Simulink are assigned a <code>numerictype</code> object that is populated with the signal's data type and scaling information.</li> <li>Returns the data type when the input is a nonfixed-point signal.</li> <li>Use to create <code>numerictype</code> objects in Embedded MATLAB code.</li> </ul>
permute	—
plus	<ul style="list-style-type: none"> <li>Any non-<code>fi</code> input must be constant; that is, its value must be known at compile time so that it can be cast to a <code>fi</code> object.</li> </ul>
pow2	<ul style="list-style-type: none"> <li>For the syntax <code>pow2(a, K)</code>, <code>K</code> must be a constant; that is, its value must be known at compile time so that it can be cast to a <code>fi</code> object.</li> </ul>
range	—
real	—
realmax	—
realmin	—
repmat	—
rescale	—
reshape	—



**Fixed-Point Toolbox Functions Supported for Use with Embedded MATLAB (Continued)**

<b>Function</b>	<b>Remarks/Limitations</b>
sign	—
single	—
size	—
sqrt	<ul style="list-style-type: none"> <li>• Complex and [Slope Bias] inputs error out.</li> <li>• Negative inputs yield a 0 result.</li> </ul>
subsasgn	—
subsref	—
sum	—
times	<ul style="list-style-type: none"> <li>• Any non-fi input must be constant; that is, its value must be known at compile time so that it can be cast to a fi object.</li> </ul>
transpose	—
tril	—
triu	—
uint8, uint16, uint32	—
uminus	—
uplus	—
upperbound	—
vertcat	—

## Fixed-Point Embedded MATLAB™ Features

In this section...
“Embedded MATLAB MEX” on page 8-8
“Embedded MATLAB Function Block” on page 8-8

### Embedded MATLAB MEX

Embedded MATLAB MEX converts M-code to C-MEX functions that contain Embedded MATLAB optimizations for automatically accelerating fixed-point algorithms to compiled C code speed in MATLAB. For more information, refer to “Working with Embedded MATLAB MEX” in the Embedded MATLAB documentation.

### Using Data Type Override with Embedded MATLAB MEX

Fixed-Point Toolbox ships with a demonstration of how to generate a C-MEX function from M-code. The M-code takes the weighted average of a signal to create a lowpass filter. To run the demo, click the Fixed-Point Lowpass Filtering Using Embedded MATLAB MEX link and follow the instructions in the right pane of the Help browser.

You can specify data type override in this demo by typing an extra command at the MATLAB prompt in the “Define Fixed-Point Parameters” section of the demo. To turn data type override on, type the following command at the MATLAB prompt after running the `reset(fipref)` demo command in that section:

```
fipref('DataTypeOverride','TrueDoubles')
```

This command tells Fixed-Point Toolbox to create all `fi` objects with type `fi double`. When you compile the M-file using the `emlmex` command in the “Compile the M-File into a MEX File” section of the demo, the resulting MEX-function uses floating-point data.

### Embedded MATLAB Function Block

The Embedded MATLAB Function block lets you compose a MATLAB language function in a Simulink model that generates embeddable code

using the Embedded MATLAB subset. When you simulate the model or generate code for a target environment, a function in an Embedded MATLAB Function block generates efficient C code. This code meets the strict memory and data type requirements of embedded target environments. In this way, Embedded MATLAB Function blocks bring the power of MATLAB for the embedded environment into Simulink. For more information, refer to “Using the Simulink Embedded MATLAB™ Function Block” on page 9-8.



# Interoperability with Other Products

---

Using `fi` Objects with Simulink  
(p. 9-2)

Describes the ways you can use Fixed-Point Toolbox `fi` objects with Simulink models

Using the Simulink Embedded MATLAB™ Function Block (p. 9-8)

Discusses the use of Fixed-Point Toolbox with the Simulink Embedded MATLAB Function block

Using Embedded MATLAB Coder  
(p. 9-24)

Introduces Embedded MATLAB Coder, which enables you to accelerate fixed-point MATLAB code

Using `fi` Objects with Signal Processing Blockset (p. 9-25)

Describes how to pass fixed-point data back and forth between the MATLAB workspace and Simulink models using Signal Processing Blockset blocks

Using `fi` Objects with Filter Design Toolbox (p. 9-30)

Provides a brief description of how to use `fi` objects with `dfilt` objects in Filter Design Toolbox

## Using fi Objects with Simulink

In this section...
“Reading Fixed-Point Data from the Workspace” on page 9-2
“Writing Fixed-Point Data to the Workspace” on page 9-2
“Setting the Value and Data Type of Block Parameters” on page 9-6
“Logging Fixed-Point Signals” on page 9-6
“Accessing Fixed-Point Block Data During Simulation” on page 9-6

### Reading Fixed-Point Data from the Workspace

You can read fixed-point data from the MATLAB workspace into a Simulink model via the From Workspace block. To do so, the data must be in structure format with a `fi` object in the values field. In array format, the From Workspace block only accepts real, double-precision data.

To read in `fi` data, the **Interpolate data** parameter of the From Workspace block must not be selected, and the **Form output after final data value by** parameter must be set to anything other than Extrapolation.

### Writing Fixed-Point Data to the Workspace

You can write fixed-point output from a model to the MATLAB workspace via the To Workspace block in either array or structure format. Fixed-point data written by a To Workspace block to the workspace in structure format can be read back into a Simulink model in structure format by a From Workspace block.

---

**Note** To write fixed-point data to the MATLAB workspace as a `fi` object, select the **Log fixed-point data as a fi object** check box on the To Workspace block dialog. Otherwise, fixed-point data is converted to double and written to the workspace as double.

---

For example, you can use the following code to create a structure in the MATLAB workspace with a `fi` object in the `values` field. You can then use the From Workspace block to bring the data into a Simulink model.

```
a = fi([sin(0:10)' sin(10:-1:0)'])
```

```
a =
```

```
      0   -0.5440
  0.8415   0.4121
  0.9093   0.9893
  0.1411   0.6570
 -0.7568  -0.2794
 -0.9589  -0.9589
 -0.2794  -0.7568
  0.6570   0.1411
  0.9893   0.9093
  0.4121   0.8415
 -0.5440      0
```

```
      DataTypeMode: Fixed-point: binary point scaling
              Signed: true
              WordLength: 16
      FractionLength: 15
```

```
              RoundMode: nearest
              OverflowMode: saturate
              ProductMode: FullPrecision
      MaxProductWordLength: 128
              SumMode: FullPrecision
      MaxSumWordLength: 128
              CastBeforeSum: true
```

```
s.signals.values = a
```

```
s =
```

```
signals: [1x1 struct]
```

```
s.signals.dimensions = 2

s =

    signals: [1x1 struct]

s.time = [0:10]'

s =

    signals: [1x1 struct]
    time: [11x1 double]
```

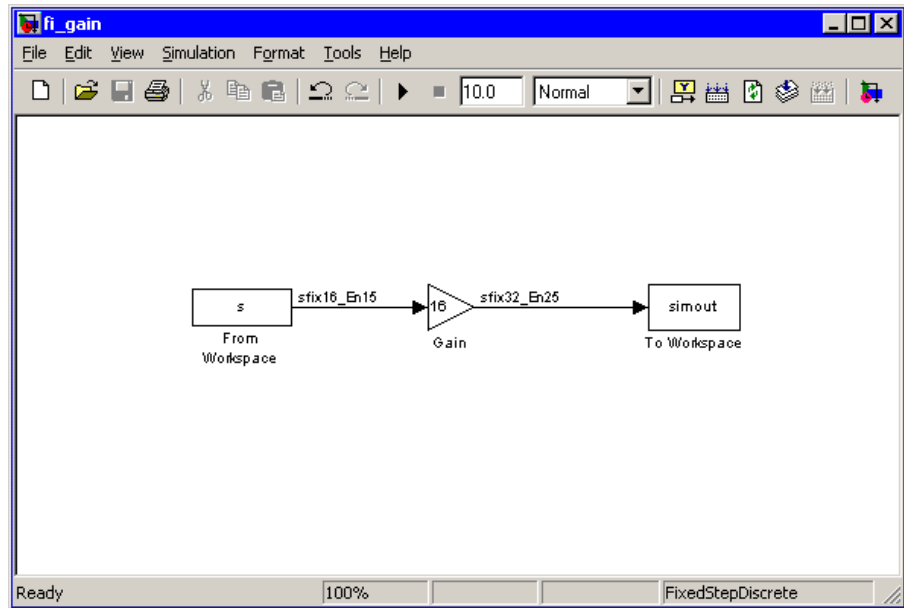
The From Workspace block in the following model has the `fi` structure `s` in the **Data** parameter.

Remember, to write fixed-point data to the MATLAB workspace as a `fi` object, select the **Log fixed-point data as a fi object** check box on the To Workspace block dialog. Otherwise, fixed-point data is converted to double and written to the workspace as double.

In the model, the following parameters in the **Solver** pane of the **Configuration Parameters** dialog have the indicated settings:

- **Start time** — 0.0
- **Stop time** — 10.0
- **Type** — Fixed-step
- **Solver** — discrete (no continuous states)
- **Fixed step size (fundamental sample time)** — 1.0





The To Workspace block writes the result of the simulation to the MATLAB workspace as a fi structure.

```
simout.signals.values
```

```
ans =
```

```

      0   -8.7041
 13.4634   6.5938
 14.5488  15.8296
   2.2578  10.5117
 -12.1089  -4.4707
 -15.3428 -15.3428
  -4.4707 -12.1089
 10.5117   2.2578
 15.8296  14.5488
   6.5938  13.4634
 -8.7041     0

```

```
DataTypeMode: Fixed-point: binary point scaling
    Signed: true
    WordLength: 32
    FractionLength: 25

    RoundMode: nearest
    OverflowMode: saturate
    ProductMode: FullPrecision
MaxProductWordLength: 128
    SumMode: FullPrecision
MaxSumWordLength: 128
    CastBeforeSum: true
```

## Setting the Value and Data Type of Block Parameters

You can use expressions from Fixed-Point Toolbox to specify the value and data type of block parameters in Simulink. Refer to “Block Support for Data and Numeric Signal Types” in the Simulink documentation for more information.

## Logging Fixed-Point Signals

When fixed-point signals are logged to the MATLAB workspace via signal logging, they are always logged as `fi` objects. To enable signal logging for a signal, select the **Log signal data** option in the signal’s **Signal Properties** dialog box. For more information, refer to “Logging Signals” in the Simulink documentation.

When you log signals from a referenced model or Stateflow® chart in your model, the word lengths of `fi` objects may be larger than you expect. The word lengths of fixed-point signals in referenced models and Stateflow charts are logged as the next largest data storage container size.

## Accessing Fixed-Point Block Data During Simulation

Simulink provides an application program interface (API) that enables programmatic access to block data, such as block inputs and outputs, parameters, states, and work vectors, while a simulation is running. You can use this interface to develop MATLAB programs capable of accessing block data while a simulation is running or to access the data from the MATLAB command line. Fixed-point signal information is returned to you via this API

as `fi` objects. For more information on the API, refer to “Accessing Block Data During Simulation” in the Simulink documentation.

## Using the Simulink Embedded MATLAB™ Function Block

### In this section...

“Using Fixed-Point Data Types with the Embedded MATLAB Function Block” on page 9-8

“Using the Embedded MATLAB Function Block with Data Type Override” on page 9-9

“Using the Model Explorer with a Fixed-Point Embedded MATLAB Function Block” on page 9-10

“Example: Implementing a Fixed-Point Direct Form FIR Using the Embedded MATLAB Function Block” on page 9-14

### Using Fixed-Point Data Types with the Embedded MATLAB Function Block

The Embedded MATLAB Function block lets you compose a MATLAB language function in a Simulink model that generates embeddable code using the Embedded MATLAB subset. When you simulate the model or generate code for a target environment, a function in an Embedded MATLAB Function block generates efficient C code. This code meets the strict memory and data type requirements of embedded target environments. In this way, Embedded MATLAB Function blocks bring the power of MATLAB for the embedded environment into Simulink.

For more information about the Embedded MATLAB Function block and the Embedded MATLAB subset, refer to the following documentation:

- Embedded MATLAB Function block reference page in the Simulink documentation
- “Using the Embedded MATLAB Function Block” in the Simulink documentation
- “Working with Embedded MATLAB” in the Embedded MATLAB documentation

A significant number of Fixed-Point Toolbox functions are supported by the Embedded MATLAB subset. Refer to “Supported Functions and Limitations

of Fixed-Point Embedded MATLAB™ on page 8-2 for information about which Fixed-Point Toolbox features are supported by the Embedded MATLAB subset.

---

**Note** To simulate models using fixed-point data types in Simulink, you must have a Simulink Fixed Point license.

---

## Using the Embedded MATLAB Function Block with Data Type Override

When you use the Embedded MATLAB Function block in a Simulink model that specifies data type override, the block determines the data type override equivalents of the input signal and parameter types and uses these to run the simulation. The following table shows how the Embedded MATLAB Function block determines the data type override equivalent from the data type of the input signal or parameter and the data type override setting in the Simulink model.

---

**Note** The Embedded MATLAB Function block does not support the Scaled doubles data type override setting.

---

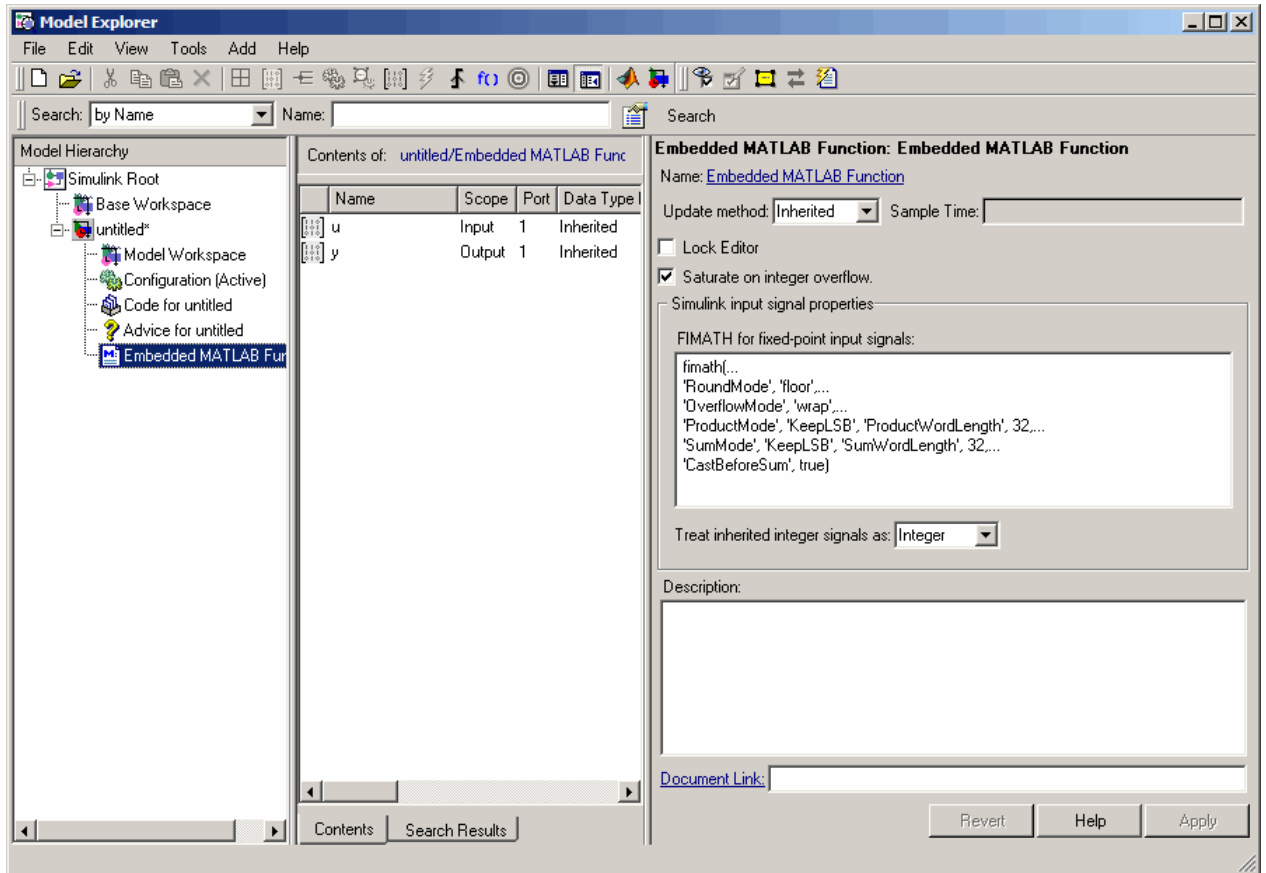
Input Signal or Parameter Type	Data Type Override Setting	Data Type Override Equivalent
Inherited single	True doubles	fi double
	True singles	fi single
Specified single	True doubles	Built-in double
	True singles	Built-in single
Inherited double	True doubles	fi double
	True singles	fi single
Specified double	True doubles	Built-in double
	True singles	Built-in single

Input Signal or Parameter Type	Data Type Override Setting	Data Type Override Equivalent
Inherited Fixed	True doubles	fi double
	True singles	fi single
Specified Fixed	True doubles	fi double
	True singles	fi single

## Using the Model Explorer with a Fixed-Point Embedded MATLAB Function Block

You can specify parameters for an Embedded MATLAB Function block in a fixed-point model using the Model Explorer. Try the following:

- 1 Place an Embedded MATLAB Function block in a new model. The block is located in the Simulink User-Defined Functions library.
- 2 Open the Model Explorer by selecting **View > Model Explorer** from your model.
- 3 Expand the **untitled\*** node in the **Model Hierarchy** pane of the Model Explorer and select the **Embedded MATLAB Function** node. The Model Explorer now appears as follows:



The parameters in the **Simulink input signal properties** group box in the **Dialog** pane apply to Embedded MATLAB Function blocks in models that use fixed-point data types.

### FIMATH for fixed-point input signals

Define the `fimath` object to be associated with Simulink fixed-point or integer signals entering the Embedded MATLAB Function block as inputs. You can do this in either of two ways:

- Fully define the `fimath` object in the parameter value box using Fixed-Point Toolbox MATLAB code.

- Enter a variable name of a `fimath` object that is defined in the MATLAB or model workspace.

The default `fimath` object entered for this parameter emulates C-style math.

### **Treat inherited integer signals as**

Choose whether to treat inherited integer signals as integers or fixed-point data.

- When you select `Integer`, Simulink integer inputs to the Embedded MATLAB Function block are treated as MATLAB integers.
- When you select `Fixed-point`, Simulink integer inputs to the Embedded MATLAB Function block are treated as Fixed-Point Toolbox `fi` objects.

## **Sharing Models Containing Fixed-Point Embedded MATLAB Function Blocks**

Sometimes you might need to share a fixed-point model using the Embedded MATLAB Function block with a coworker. When you do, make sure to move any variables you define in the MATLAB workspace, including `fimath` objects, to the model workspace. For example, try the following:

- 1 Place an Embedded MATLAB Function block in a new model. The block is located in the Simulink User-Defined Functions library.
- 2 Define a `fimath` object in the MATLAB workspace that you want to use for any Simulink fixed-point signal entering the Embedded MATLAB Function block as an input:

```
F = fimath('RoundMode','Floor','OverflowMode','Wrap',...  
         'ProductMode','KeepLSB','ProductWordLength',32,...  
         'SumMode','KeepLSB','SumWordLength',32)
```

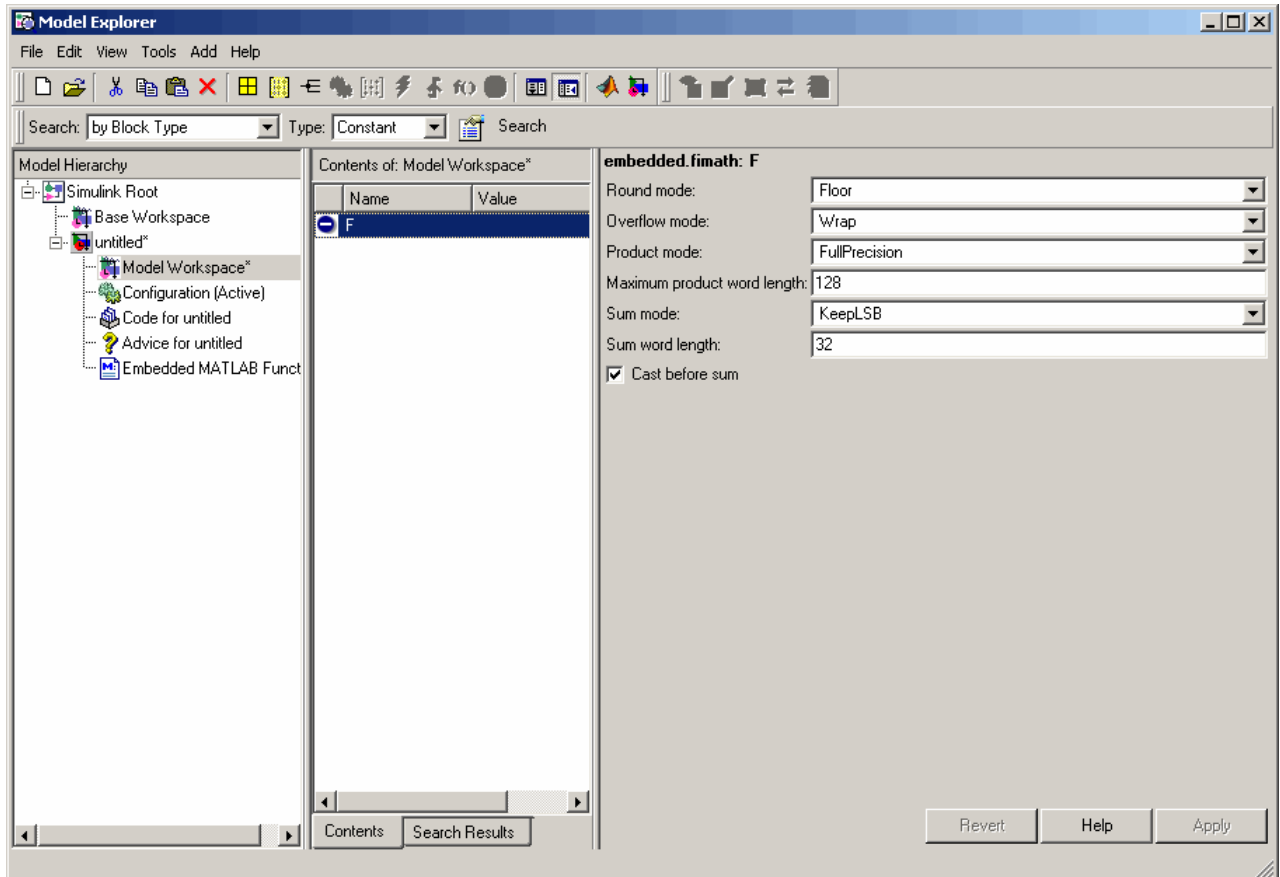
```
F =
```

```
RoundMode: floor  
OverflowMode: wrap  
ProductMode: KeepLSB
```



```
ProductWordLength: 32
SumMode: KeepLSB
SumWordLength: 32
CastBeforeSum: true
```

- 3** Open the Model Explorer by selecting **View > Model Explorer** from your model.
- 4** Expand the **untitled\*** node in the **Model Hierarchy** pane of the Model Explorer and select the **Embedded MATLAB Function** node.
- 5** Enter the variable **F** into the **FIMATH for fixed-point input signals** parameter on the **Dialog** pane and click **Apply**. You have now defined the **fimath** object for any Simulink fixed-point signal entering the Embedded MATLAB Function block as an input.
- 6** Select the **Base Workspace** node in the **Model Hierarchy** pane. You can see the variable **F** that you have defined in the MATLAB workspace listed in the **Contents** pane. If you were to send this model to a coworker, they would have to define that same variable in their MATLAB workspace to get the same results as you with this model.
- 7** Cut the variable **F** from the base workspace and paste it into the model workspace listed under the node for your model, in this case **untitled\***. The Model Explorer now looks like this:



You can now e-mail your model to a coworker, and because the variables needed to run the model are included in the workspace of the model itself, your coworker can run the model and get the correct results without performing any extra steps.

### **Example: Implementing a Fixed-Point Direct Form FIR Using the Embedded MATLAB Function Block**

The following sections lead you through creating a fixed-point, low-pass, direct form FIR filter in Simulink using Fixed-Point Toolbox and Embedded MATLAB Function block:

- “I. Program the Embedded MATLAB Function Block” on page 9-15
- “II. Prepare the Inputs” on page 9-17
- “III. Create the Model” on page 9-17
- “IV. Define the Input fimath Using the Model Explorer” on page 9-20
- “V. Run the Simulation” on page 9-22

## I. Program the Embedded MATLAB Function Block

- 1 Place an Embedded MATLAB Function block in a new model. The block is located in the Simulink User-Defined Functions library.
- 2 Save your model as eML\_fi.mdl.
- 3 Double-click the Embedded MATLAB Function block in your model to open the Embedded MATLAB Editor. Type or copy and paste the following MATLAB code, including comments, into the Editor:

```
function [yout,zf] = dffirdemo(b, x, zi)
%eML_fi doc model example
%Initialize the output signal yout and the final conditions zf
Fy = fimath('RoundMode','Floor','OverflowMode','Wrap',...
    'ProductMode','KeepLSB','ProductWordLength',32,...
    'SumMode','KeepLSB','SumWordLength',32);
Ty = numericity(1,12,8);
yout = fi(zeros(size(x)), 'numericity', Ty, 'fimath', Fy);
zf = zi;

% FIR filter code
for k=1:length(x);
    % Update the states: z = [x(k);z(1:end-1)]
    zf(:) = [x(k);zf(1:end-1)];
    % Form the output: y(k) = b*z
    yout(k) = b*zf;
end

% Plot the outputs only in simulation.
% This does not generate C code.
eml.extrinsic('figure');
```

```

eml.extrinsic('subplot');
eml.extrinsic('plot');
eml.extrinsic('title');
eml.extrinsic('grid');
figure;
subplot(211);plot(x); title('Noisy Signal');grid;
subplot(212);plot(yout); title('Filtered Signal');grid;

```

The Editor should now appear as follows:

```

Embedded MATLAB Editor - Block: eML_fi/Embedded MATLAB Function
File Edit Text Debug Tools Window Help
[Icons]
1 function [yout,zf] = ddfirdemo(b, x, zi)
2 %eML_fi doc model example
3 %Initialize the output signal yout and the final conditions zf
4 Fy = fimath('RoundMode','Floor','OverflowMode','Wrap',...
5 'ProductMode','KeepLSB','ProductWordLength',32,...
6 'SumMode','KeepLSB','SumWordLength',32);
7 Ty = numerictype(1,12,8);
8 yout = fi(zeros(size(x)), 'numerictype',Ty, 'fimath',Fy);
9 zf = zi;
10
11 % FIR filter code
12 for k=1:length(x);
13     % Update the states: z = [x(k);z(1:end-1)]
14     zf(:) = [x(k);zf(1:end-1)];
15     % Form the output: y(k) = b*z
16     yout(k) = b*zf;
17 end
18
19 % Plot the outputs only in simulation.
20 % This does not generate C code.
21 eml.extrinsic('figure');
22 eml.extrinsic('subplot');
23 eml.extrinsic('plot');
24 eml.extrinsic('title');
25 eml.extrinsic('grid');
26 figure;
27 subplot(211);plot(x); title('Noisy Signal');grid;
28 subplot(212);plot(yout); title('Filtered Signal');grid;

```

Ready Ln 28 Col 56

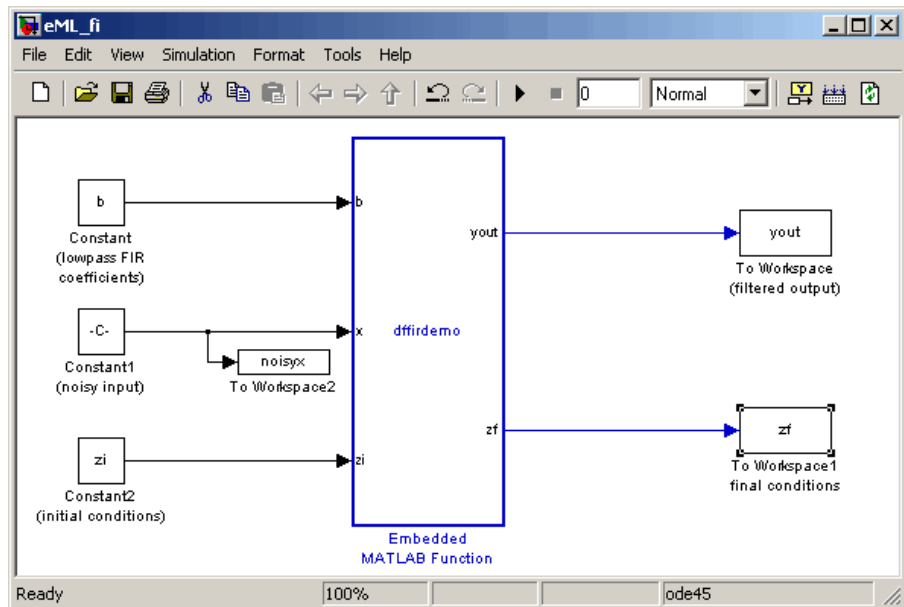
## II. Prepare the Inputs

Define the filter coefficients  $b$ , noise  $x$ , and initial conditions  $z_i$  by typing the following at the MATLAB command line:

```
b = fi_fir_coefficients;
load mtlb
x = mtlb;
n = length(x);
noise = sin(2*pi*2140*(0:n-1)'./Fs);
x = x + noise;
zi = zeros(length(b),1);
```

## III. Create the Model

1 Add blocks to your model to create the system shown below.



2 Set the block parameters in the model to the following values:

<b>Block</b>	<b>Parameter</b>	<b>Value</b>
<b>Constant</b>	<b>Constant value</b>	b
	<b>Interpret vector parameters as 1-D</b>	Unselected
	<b>Sampling mode</b>	Sample based
	<b>Sample time</b>	inf
	<b>Output data type mode</b>	Specify via dialog
	<b>Output data type</b>	sfix(12)
	<b>Output scaling mode</b>	Use specified scaling
	<b>Output scaling value</b>	2 <sup>-12</sup>
<b>Constant1</b>	<b>Constant value</b>	x+noise
	<b>Interpret vector parameters as 1-D</b>	Unselected
	<b>Sampling mode</b>	Sample based
	<b>Sample time</b>	1
	<b>Output data type mode</b>	Specify via dialog
	<b>Output data type</b>	sfix(12)
	<b>Output scaling mode</b>	Use specified scaling
	<b>Output scaling value</b>	2 <sup>-8</sup>

<b>Block</b>	<b>Parameter</b>	<b>Value</b>
<b>Constant2</b>	<b>Constant value</b>	zi
	<b>Interpret vector parameters as 1-D</b>	Unselected
	<b>Sampling mode</b>	Sample based
	<b>Sample time</b>	inf
	<b>Output data type mode</b>	Specify via dialog
	<b>Output data type</b>	sfix(12)
	<b>Output scaling mode</b>	Use specified scaling
	<b>Output scaling value</b>	2 <sup>-8</sup>
<b>To Workspace</b>	<b>Variable name</b>	yout
	<b>Limit data points to last</b>	inf
	<b>Decimation</b>	1
	<b>Sample time</b>	-1
	<b>Save format</b>	Array
	<b>Log fixed-point data as a fi object</b>	Selected

Block	Parameter	Value
To Workspace1	Variable name	zf
	Limit data points to last	inf
	Decimation	1
	Sample time	1
	Save format	Array
	Log fixed-point data as a fi object	Selected
To Workspace2	Variable name	noisyx
	Limit data points to last	inf
	Decimation	1
	Sample time	1
	Save format	Array
	Log fixed-point data as a fi object	Selected

#### IV. Define the Input fimath Using the Model Explorer

- 1 Define the fimath object to be used for the Embedded MATLAB Function block inputs in the MATLAB workspace. Note that it must have the same properties as the fimath object defined in your Embedded MATLAB code in order to perform arithmetic between the quantities:

```
F_in = fimath('RoundMode','Floor','OverflowMode','Wrap',...
    'ProductMode','KeepLSB','ProductWordLength',32,...
    'SumMode','KeepLSB','SumWordLength',32)
```

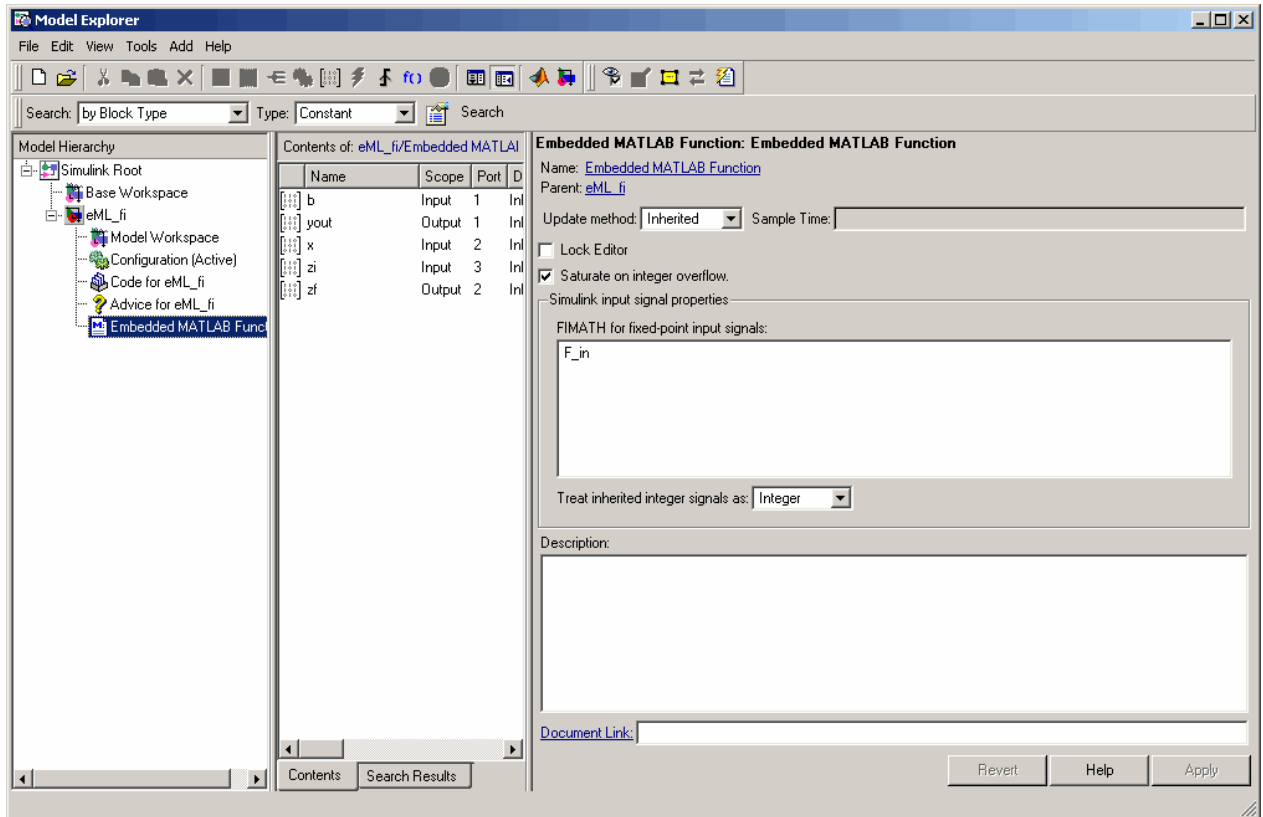
```
F_in =
```

```
RoundMode: floor
OverflowMode: wrap
```



```
ProductMode: KeepLSB
ProductWordLength: 32
SumMode: KeepLSB
SumWordLength: 32
CastBeforeSum: true
```

- 2** Open the Model Explorer for the model by selecting **View > Model Explorer**.
- 3** Click the **Base Workspace** node in the **Model Hierarchy** pane of the Model Explorer. You see the fimath F\_in you just defined listed in the **Contents** pane.
- 4** Click the **eML\_fi > Embedded MATLAB Function** node in the **Model Hierarchy** pane. The dialog for the Embedded MATLAB Function block appears in the **Dialog** pane of the Model Explorer.
- 5** Enter F\_in in the **FIMATH for fixed-point input signals** parameter on the Embedded MATLAB Function dialog in the **Dialog** pane of the Model Explorer and click **Apply**. This step sets the fimath object for the three inputs entering into the Embedded MATLAB Function block in your model. The Model Explorer now appears as follows:



### V. Run the Simulation

- 1 Run the simulation by selecting your model and typing **Ctrl+T**. While the simulation is running, information outputs to the MATLAB command line. You can look at the plots of the noisy signal and the filtered signal.
- 2 Now build embeddable C code for your model by selecting the model and typing **Ctrl+B**. While the code is building, information outputs to the MATLAB command line. A directory called `eML_fi_grt_rtw` is created in your current working directory.

- 3 Navigate to `eML_fi_grt_rtw > eML_fi.c`. In this file you can see the code that has been generated from your model. Search on the comment in your code

```
%eML_fi doc model example
```

This brings you to the beginning of the section of the code that is generated from your Embedded MATLAB Function block.

## Using Embedded MATLAB Coder

Embedded MATLAB Coder is a Real-Time Workshop® function (`emlc`) that automatically converts M-code directly to C code. It lets you accelerate MATLAB code that uses Fixed-Point Toolbox. For more information, refer to “Working with Embedded MATLAB Coder” in the Real-Time Workshop documentation.

## Using fi Objects with Signal Processing Blockset

In this section...
“Reading Fixed-Point Signals from the Workspace” on page 9-25
“Writing Fixed-Point Signals to the Workspace” on page 9-25

### Reading Fixed-Point Signals from the Workspace

You can read fixed-point data from the MATLAB workspace into a Simulink model using the Signal From Workspace and Triggered Signal From Workspace blocks from Signal Processing Blockset. Enter the name of the defined `fi` variable in the **Signal** parameter of the Signal From Workspace or Triggered Signal From Workspace block.

### Writing Fixed-Point Signals to the Workspace

Fixed-point output from a model can be written to the MATLAB workspace via the Signal To Workspace or Triggered To Workspace block from Signal Processing Blockset. The fixed-point data is always written as a 2-D or 3-D array.

---

**Note** To write fixed-point data to the MATLAB workspace as a `fi` object, select the **Log fixed-point data as a fi object** check box on the Signal To Workspace or Triggered To Workspace block dialog. Otherwise, fixed-point data is converted to double and written to the workspace as double.

---

For example, you can use the following code to create a `fi` object in the MATLAB workspace. You can then use the Signal From Workspace block to bring the data into a Simulink model.

```
a = fi([sin(0:10)' sin(10:-1:0)'])
```

```
a =
```

```
      0   -0.5440
  0.8415   0.4121
  0.9093   0.9893
  0.1411   0.6570
 -0.7568  -0.2794
 -0.9589  -0.9589
 -0.2794  -0.7568
  0.6570   0.1411
  0.9893   0.9093
  0.4121   0.8415
 -0.5440      0
```

```
      DataTypeMode: Fixed-point: binary point scaling
              Signed: true
              WordLength: 16
      FractionLength: 15
```

```
      RoundMode: nearest
      OverflowMode: saturate
      ProductMode: FullPrecision
MaxProductWordLength: 128
      SumMode: FullPrecision
MaxSumWordLength: 128
      CastBeforeSum: true
```

The Signal From Workspace block in the following model has these settings:

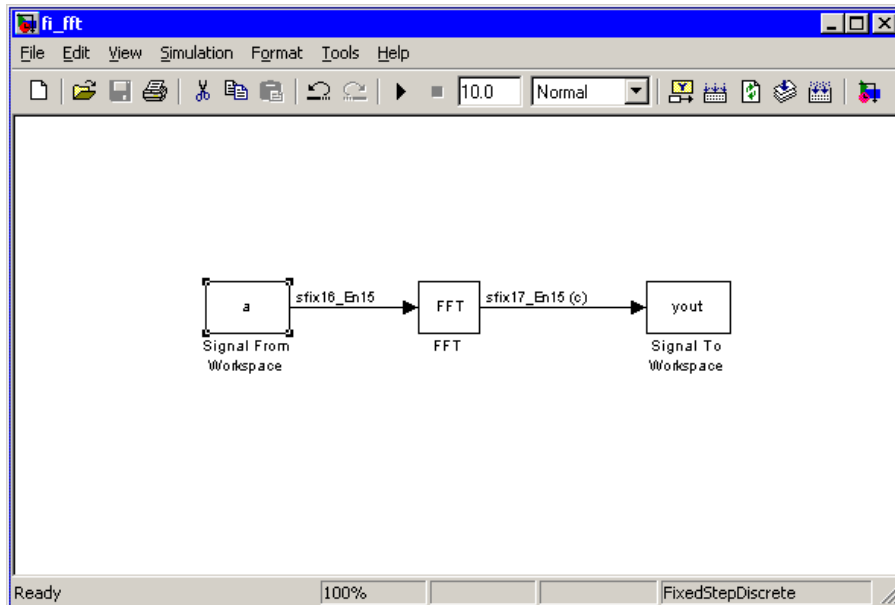
- **Signal** — a
- **Sample time** — 1
- **Samples per frame** — 2

- **Form output after final data value by** — Setting to zero

The following parameters in the **Solver** pane of the **Configuration Parameters** dialog have these settings:

- **Start time** — 0.0
- **Stop time** — 10.0
- **Type** — Fixed-step
- **Solver** — discrete (no continuous states)
- **Fixed step size (fundamental sample time)** — 1.0

Remember, to write fixed-point data to the MATLAB workspace as a `fi` object, select the **Log fixed-point data as a fi object** check box on the Signal To Workspace block dialog. Otherwise, fixed-point data is converted to double and written to the workspace as double.



The Signal To Workspace block writes the result of the simulation to the MATLAB workspace as a `fi` object.

yout =

(:, :, 1) =

0.8415	-0.1319
-0.8415	-0.9561

(:, :, 2) =

1.0504	1.6463
0.7682	0.3324

(:, :, 3) =

-1.7157	-1.2383
0.2021	0.6795

(:, :, 4) =

0.3776	-0.6157
-0.9364	-0.8979

(:, :, 5) =

1.4015	1.7508
0.5772	0.0678

(:, :, 6) =

-0.5440	0
-0.5440	0



```
        DataTypeMode: Fixed-point: binary point scaling
          Signed: true
          WordLength: 17
        FractionLength: 15

          RoundMode: nearest
          OverflowMode: saturate
          ProductMode: FullPrecision
MaxProductWordLength: 128
          SumMode: FullPrecision
MaxSumWordLength: 128
          CastBeforeSum: true
```

## Using `fi` Objects with Filter Design Toolbox

When the `Arithmetic` property is set to `'fixed'`, you can use an existing `fi` object as the input, states, or coefficients of a `dfilt` object in Filter Design Toolbox. Also, fixed-point filters in Filter Design Toolbox return `fi` objects as outputs. Refer to the Filter Design Toolbox documentation for more information.

## A

### ANSI C

- compared with `fi` objects 2-20

### arithmetic

- fixed-point 4-8

- with [Slope Bias] signals 4-12

### arithmetic operations

- fixed-point 2-8

## B

- binary conversions 2-23

## C

### casts

- fixed-point 2-16

### complex multiplication

- fixed-point 2-11

## D

- data type override 5-12

- demos 1-9

### display preferences

- setting 5-5

- display settings 1-7

## E

### Embedded MATLAB

- fixed-point 8-1

### Embedded MATLAB Function block

- Fixed-Point Toolbox support 9-8

- using with Model Explorer and fixed-point models 9-10

## F

- `fi` objects

- constructing 3-2

- `fimath` objects 2-13

- constructing 4-2

- properties

- setting in the Model Explorer 4-6

- setting properties in the Model Explorer 4-6

- `fi`pref objects

- constructing 5-2

- fixed-point arithmetic 4-8

- fixed-point data

- reading from workspace 9-2

- writing to workspace 9-2

- fixed-point data types

- addition 2-10

- arithmetic operations 2-8

- casts 2-16

- complex multiplication 2-11

- modular arithmetic 2-8

- multiplication 2-11

- overflow handling 2-5

- precision 2-5

- range 2-5

- rounding 2-6

- saturation 2-5

- scaling 2-4

- subtraction 2-10

- two's complement 2-9

- wrapping 2-5

- Fixed-Point Embedded MATLAB 8-1

- fixed-point math 4-8

- fixed-point models

- Embedded MATLAB Function block

- support 9-8

- fixed-point run-time API 9-6

- fixed-point signal logging 9-6

- Fixed-Point Toolbox

- Embedded MATLAB Function block

- support 9-8

**H**

help  
getting 1-5

**I**

interoperability  
fi objects with Filter Design Toolbox 9-30  
fi objects with Signal Processing  
Blockset 9-25  
fi objects with Simulink 9-2  
Fixed-Point Toolbox with Embedded  
MATLAB Function block 9-8

**L**

licensing 1-4  
logging  
overflows and underflows 5-7  
logging modes  
setting 5-7

**M**

math  
with [Slope Bias] signals 4-12  
Model Explorer  
setting `embedded.fimath` properties 4-6  
setting `embedded.numericity`  
properties 6-8  
using with fixed-point Embedded  
MATLAB 9-10  
modular arithmetic 2-8  
multiplication  
fixed-point 2-11

**N**

numericity objects  
constructing 6-2

properties  
setting in the Model Explorer 6-8  
setting properties in the Model Explorer 6-8

**O**

one's complement 2-9  
overflow handling 2-5  
compared with ANSI C 2-25  
overflows  
logging 5-7

**P**

padding 2-17  
precision  
fixed-point data types 2-5  
property values  
quantizer objects 7-3

**Q**

quantizer objects  
constructing 7-2  
property values 7-3

**R**

range  
fixed-point data types 2-5  
reading fixed-point data from workspace 9-2  
rounding  
fixed-point data types 2-6  
run-time API  
fixed-point data 9-6

**S**

saturation 2-5  
scaling 2-4  
signal logging

fixed-point 9-6  
[Slope Bias] arithmetic 4-12

## **T**

two's complement 2-9

## **U**

unary conversions 2-22

underflows  
logging 5-7

## **W**

wrapping  
fixed-point data types 2-5  
writing fixed-point data to workspace 9-2